

**5 YEAR
WARRANTY**

60W
DALI-2
Slimline
LED Driver
with PWM
Output

Features of the:
LDVP-60 Series



Constant Voltage PWM Output



IP66 Design For Outdoor Installation



AC Input Range: 200-240VAC with PFC



Cooling by Free Air Convection



Protections:
• Short Circuit
• Over Load
• Over Temperature



Factory Fitted Flex and Plug



Class I Power Supply



DALI-2 Protocol IEC 62386



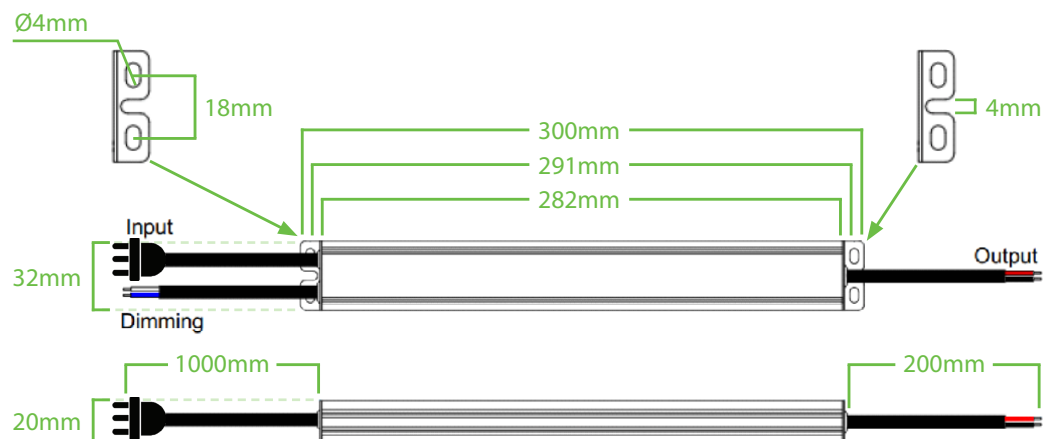
CE     IP66 SELV CB

Model		LDVP-60-12	LDVP-60-24
Output	DC voltage	12V	24V
	Voltage tolerance	±0.5V (see Note 2.)	
	Rated current	5A	2.5A
	Rated power	60W	
Input	Voltage range	200-240VAC	
	Frequency range	47~63HZ	
	Power factor	0.95 @ 230VAC	
	Full load efficiency (Typ.)	86%	88%
	AC current (Max.)	0.73 @ 100VAC	0.73 @ 100VAC
	Leakage current	<0.50mA	
	Inrush current	34A (twidh=121us) @ 230VAC	
Protection	MAX. No. of drivers on 16A Circuit breaker	9 units (circuit breaker of type B) / 16 units (circuit breaker of type C) at 230VAC	
	Short circuit	Shut down O/P voltage, re-power on to recover after fault condition removed	
	Over loading (Note 4.)	≤120% Hiccup mode, recovers automatically after fault condition is removed or shut down o/p voltage, re-power on to recover after fault condition removed	
Environment	Over temperature (Note 6.)	100°C±10°C shut down O/P voltage, automatically recovers after cooling	
	Working TEMP.	-40~+60°C (refer to de-rating curve)	
	Working humidity	20~95%RH, non-condensing	
	Storage TEMP, humidity	-40~+80°C, 10-95% RH	
	TEMP. coefficient	±0.03%/°C (0~50°C)	
Safety & EMC	Vibration	10-500Hz, 5G 10min./1 cycle, period for 60min, each along X, Y, Z axes	
	Safety standards	EN61347-1 EN61347-2-13 UL8750	
	Withstand voltage	I/P-O/P: 3.75KVAC (EU) and I/P-O/P: 1.88KVAC (US)	
	Isolation resistance	I/P-O/P: 100MΩ/500VDC/25°C/70%/RH	
	EMC emissions (Note 3.)	Compliance to EN55015, EN61000-3-2 (≥60% load) (EU) and FCC Part 15 (US)	
Others	EMC immunity	EN61000-4-2,3,4,5,6, 11, EN61547, light industry	
	Net. weight	0.65kg	
	Size	300*32*20mm (L*W*D)	
Notes	Packing	330*270*311mm/20PCS/CTN G.W: 14kg/ctn	
	<ol style="list-style-type: none"> All parameters NOT specially mentioned are measured at 230VAC input, rated load and 25°C of ambient temperature. Tolerance: Includes set up tolerance, line regulation and load regulation. The LED driver is considered as a component that is operated in conjunction with final equipment. EMC performance could be affected by the complete installation. Original equipment manufacturers may need to conduct additional EMC testing and certification on the final equipment. Loading range from 10% to 100%. Specifications are subject to change without prior notice. Contact your supplier to confirm any critical parameters. Reading taken at tc point marked on product label. 		

Input & Output Wiring

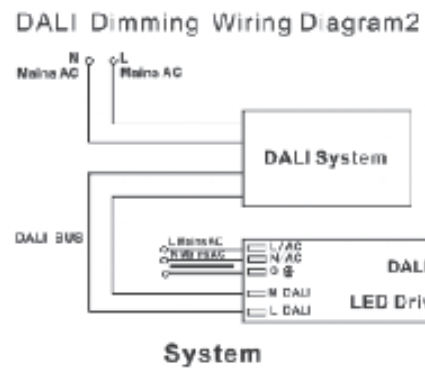
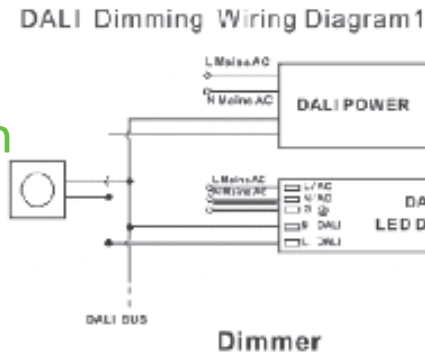
Mechanical Specification

- Input:
1m AU Flex and Plug
- Output:
Rubber cable 2*1.0mm²
Red: (V+) Positive
Black: (V-) Negative
- Dimming:
Rubber cable 2*0.75mm²
Blue: DA
White: DA (non-polarised)

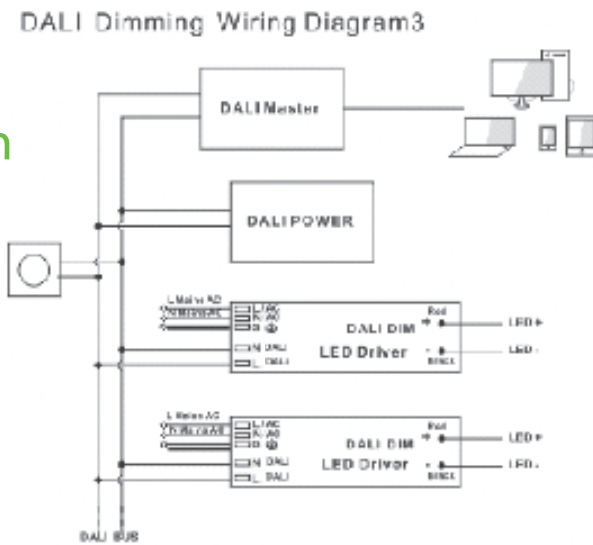


Dimming Operation

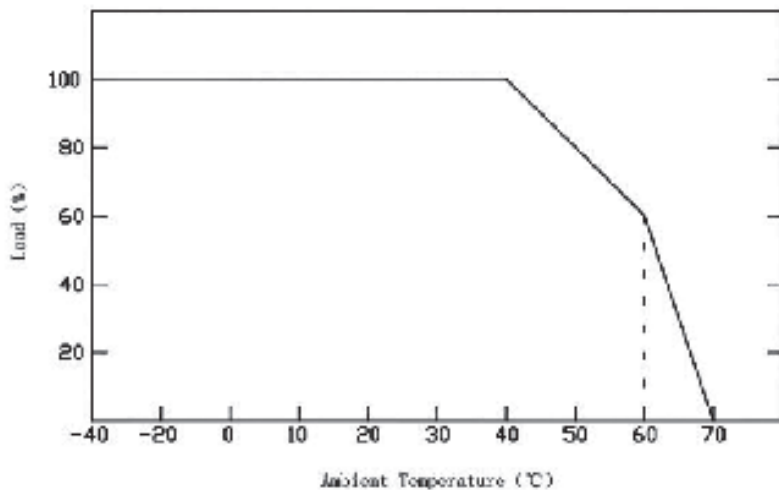
Single Driver Connection Diagram



Multiple Drivers Connection Diagram



De-Rating Curve



• If being used in higher ambient temperatures, ensure the load on the LED driver is de-rated in accordance with this chart. Failure to do so could lead to a premature failure, which is not covered by the warranty.



Important

- 1) Refer to Power Source Installation Manual.
- 2) Do Not Cover.
- 3) This LED driver should be installed by a qualified electrician.
- 4) Please make sure the LED driver is installed with adequate ventilation around it to allow for heat dissipation.
- 5) Ensure that all wiring is correct before testing in order to avoid damage to the LED driver, or the LEDs.