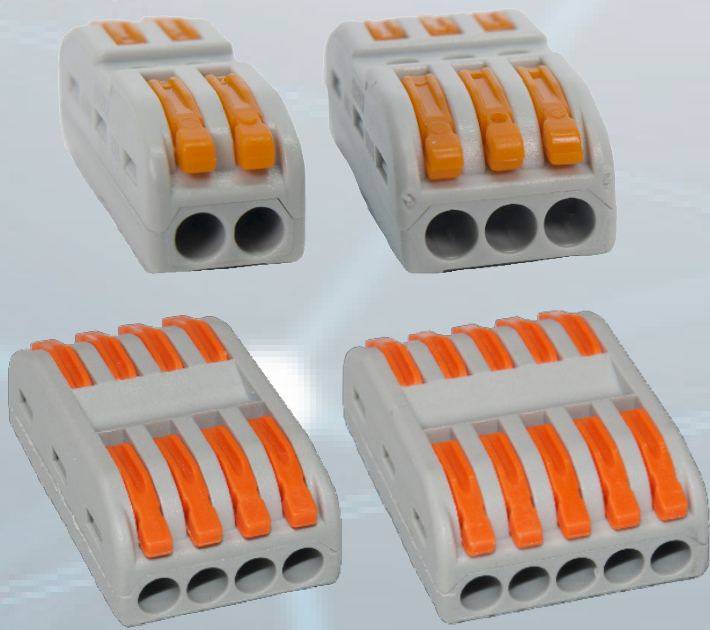


## SPRING TERMINALS

## FEATURES

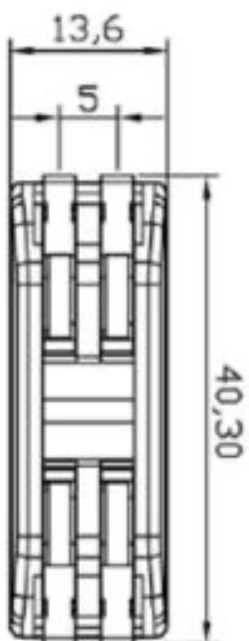


### INLINE SPRING TERMINALS

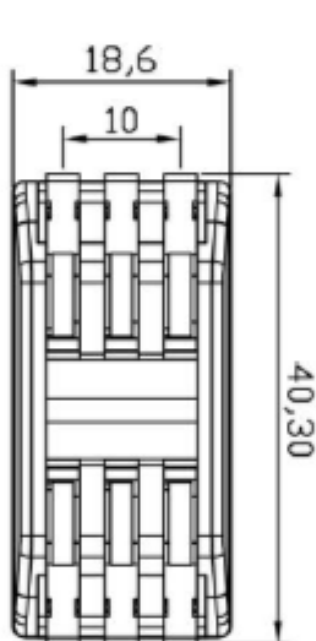
Voltage Rating	250V
Current Rating Per Pin	32A
Wire Gauge	0.08mm <sup>2</sup> ~ 4mm <sup>2</sup>
Wire OD	Max 3mm
Insulation Resistance	500V 1000MΩ
Operating Temp. Range	-20 ~ +105°C
Electrical Conductor	Copper
Shell Material	Nylon (PA66)

NOTE: WIRE STRIPPING LENGTH 9-10MM

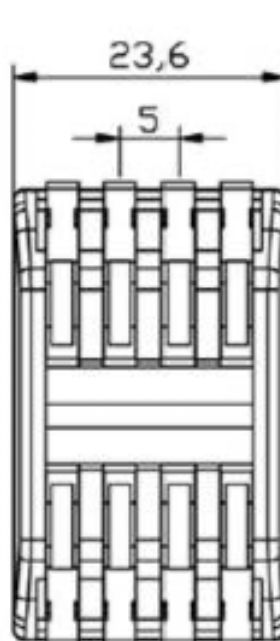
C-2-ST



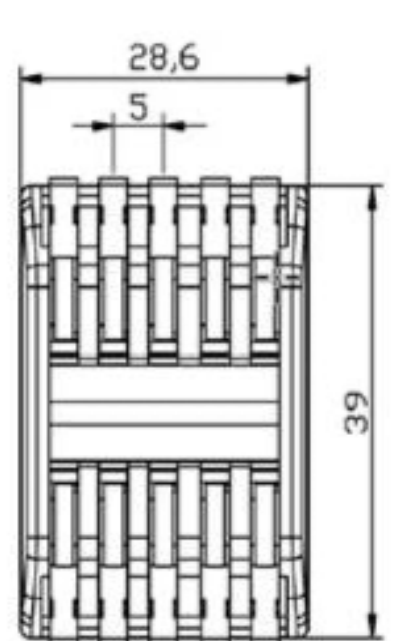
C-3-ST



C-4-ST



C-5-ST



## SPRING TERMINALS



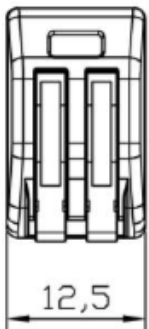
## FEATURES

### PARALLEL SPRING TERMINALS

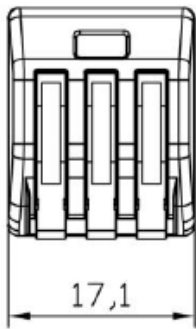
Voltage Rating	400V
Current Rating Per Pin	32A
Wire Gauge	0.08mm <sup>2</sup> ~ 4mm <sup>2</sup>
Wire OD	Max 3mm
Insulation Resistance	500V 1000MΩ
Operating Temp. Range	-20 ~ +105°C
Electrical Conductor	Copper
Shell Material	Nylon (PA66)

NOTE: WIRE STRIPPING LENGTH 9-10MM

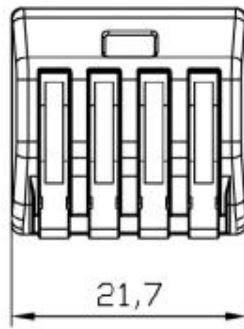
C-2-PST



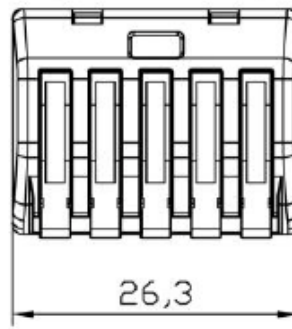
C-3-PST



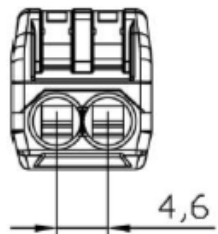
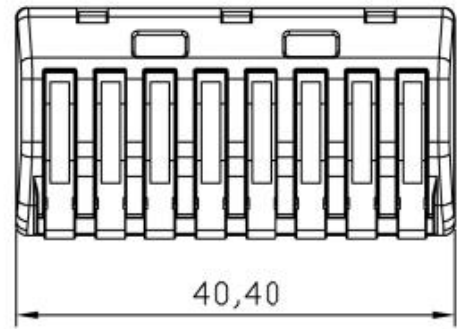
C-4-PST



C-5-PST



C-8-PST



ALL SPRING TERMINALS ARE 14.4MM HIGH AND HAVE A 4.6MM PITCH

FOR EXAMPLE:

