



**5 YEAR  
WARRANTY**

**200W**

# Phase Cut Dimmable LED Driver with PWM Output

## Features of the: PDU-200 Series

- 

Constant Voltage PWM Output
- 

AC Input Range: 200-240VAC
- 

Protections:

  - Short Circuit
  - Over Load
  - Over Temperature
- 

Class I Power Supply
- 

IP66 Design For Indoor Installation
- 

Cooling by Free Air Convection
- 

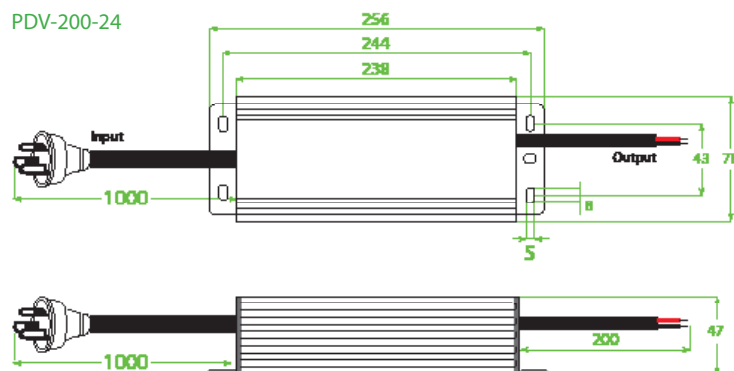
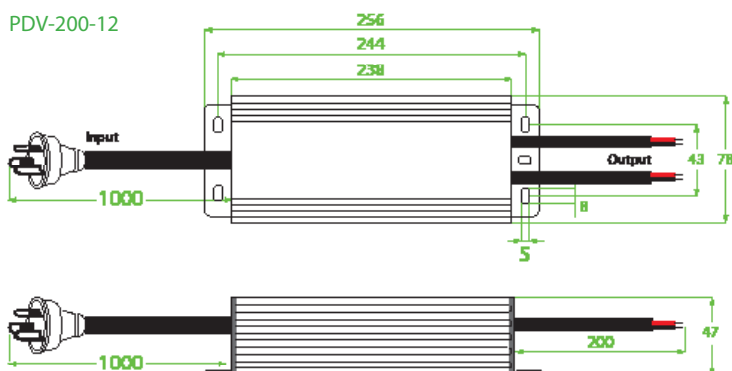
Factory Fitted Flex and Plug
- 

Compatible with Most Leading and Trailing Edge Dimmers

Model		PDV-200-12	PDV-200-24	PDV-200-48
Output	DC voltage	12V	24V	48V
	Voltage tolerance	±0.5V (see Note 2.)		
	Voltage Regulation	≤0.5%		
	Rated current	16.6A	8.3A	4.16A
	Rated power	200W		
	Load Regulation	≤2%	≤1%	
Input	Voltage range	200-240VAC		
	Frequency range	47~63HZ		
	Power factor	PF≥0.97/200VAC PF≥0.97/230VAC PF≥.97/240VAC (Full loading)		
	Full load efficiency (Typ.)	85%	87%	88%
	AC current (Max.)	1.3A		
	Leakage current	<0.50mA		
	Inrush current	96A, 72us@230VAC	96A, 72us@230VAC	72.8A, 132us@50%lpeak
	MAX. No. of drivers on 16A Circuit breaker	4 units (circuit breaker of type B) / 6 units (circuit breaker of type C) at 230VAC		
Protection	Short circuit	Hiccup mode, re-power on to recover after fault condition removed		
	Over loading (Note 4.)	≤120% Hiccup mode, recovers automatically after fault condition is removed		
	Over temperature	Shell surface temp.100°C±10°C shut down o/p voltage,automatically recover after the temperature drops.		
Environment	Working TEMP.	-40~+60°C (refer to de-rating curve)		
	Working humidity	20~95%RH, non-condensing		
	Storage TEMP, humidity	-40~+80°C,10-95%RH		
	TEMP. coefficient	±0.03%/°C (0~50°C)		
	Vibration	10-500Hz, 2G 12min./1 cycle, period for 72min, each along X, Y, Z axes		
Safety & EMC	Safety standards	EN61347-1 EN61347-2-13		
	Withstand voltage	I/P-O/P:3.75KVAC I/P-FG:1.5KVAC O/P-FG:0.5KVAC		
	Isolation resistance	I/P-O/P :100MΩ / 500VDC / 25°C / 70%RH		
	EMC emissions (Note 3.)	EN55015, EN61000-3-2,3 (≥60%loading)		
	EMC immunity	EN61000-4-2,3,4,5,6 ,11, EN61547		
Others	Net. weight	1.45kg		
	Size	265*78*47mm(L*W*H)		
	Packing	265*83*65mm inner box, 340*280*185mm outside carton 10PCS /CTN		
Notes	<ol style="list-style-type: none"> <li>All parameters NOT specially mentioned are measured at 230VAC input, rated load and 25°C of ambient temperature.</li> <li>Tolerance: Includes set up tolerance, line regulation and load regulation.</li> <li>The LED driver is considered as a component that is operated in conjunction with final equipment. EMC performance could be affected by the complete installation. Original equipment manufacturers may need to conduct additional EMC testing and certification on the final equipment.</li> <li>Loading range from 10% to 100%.</li> <li>Specifications are subject to change without prior notice. Contact your supplier to confirm any critical parameters.</li> </ol>			

## Dimming Operation

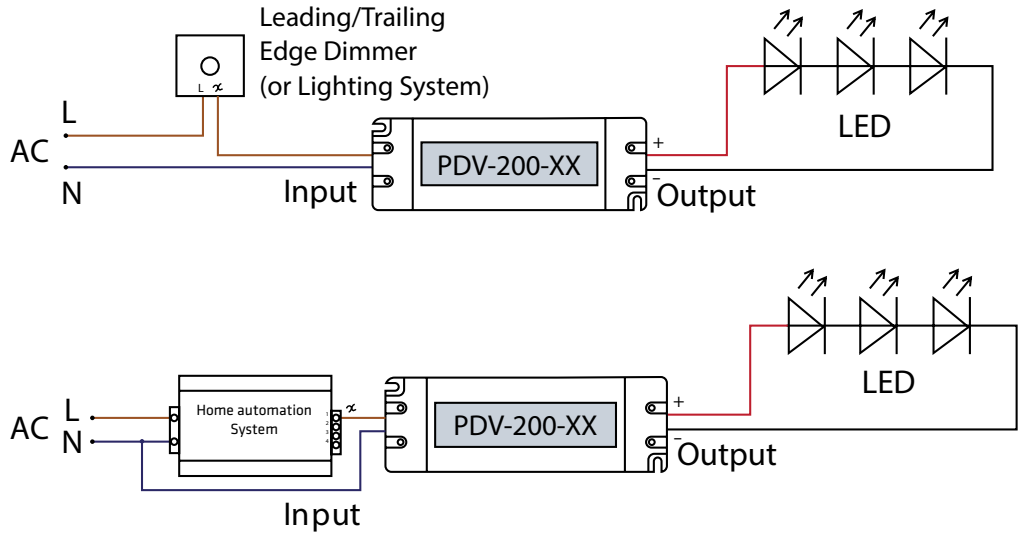
- Dimming is with installing a leading edge, or trailing edge dimmer across the AC input.
- Compatible with most leading edge and trailing edge dimmers. Australian compatibility table available on request.
- It is recommended that a dimmer, with a power rating three times higher than that of the rated output of the LED driver is used.



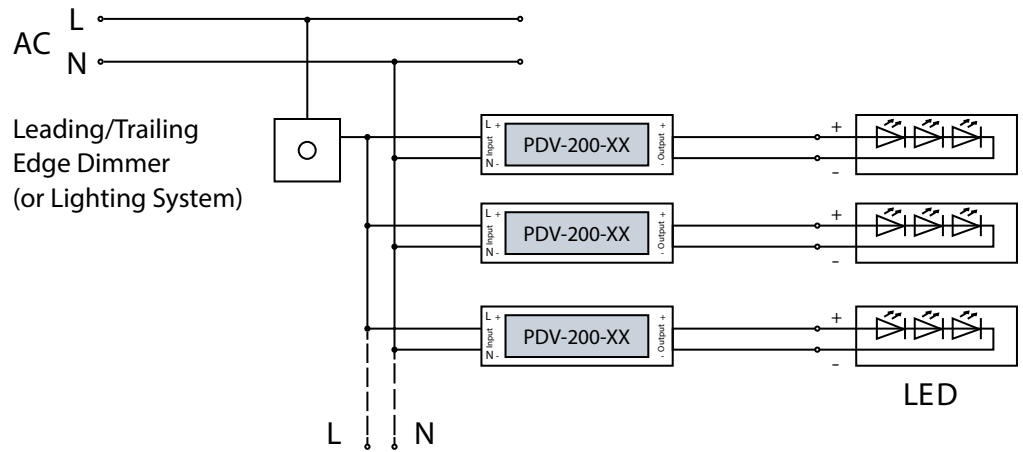
## Mechanical Specification

- Output cable type: Rubber H05RN-F 2\*1.5mm<sup>2</sup>
- Connect LED to LED driver via the output cable: Red output(V+) Positive, Black output (V-) negative.
- Incorrect wiring could result in damage to the LED driver, which is not covered by the warranty.
- Contact your supplier with specific input, or output configuration requests.

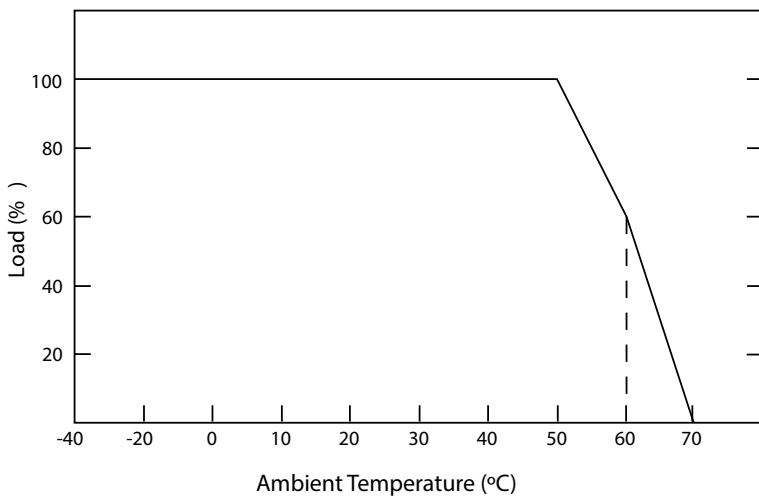
## Single Driver Connection Diagram



## Multiple Drivers Connection Diagram



## De-rating Curve



• If being used in higher ambient temperatures, ensure the load on the LED driver is de-rated in accordance with this chart. Failure to do so could lead to a premature failure, which is not covered by the warranty.

## Important

- 1) This LED driver should be installed by a qualified electrician.
- 2) Please make sure the LED driver is installed with adequate ventilation around it to allow for heat dissipation.
- 3) Ensure that all wiring is correct before testing in order to avoid damage to the LED driver, or the LEDs.

