

**5 YEAR
WARRANTY**

60W Multi-Dim Phasecut +0-10V Slimline LED Driver with PWM Output

Features of the: LMVP-60 Series



Constant
Voltage PWM
Output



IP66 Design
For Outdoor
Installation



AC Input Range:
200-240VAC
with PFC



Cooling by
Free Air
Convection



Protections:
• Short Circuit
• Over Load
• Over Temperature



Factory
Fitted Flex
and Plug



Class I
Power Supply



0-10V,
Phase Cut



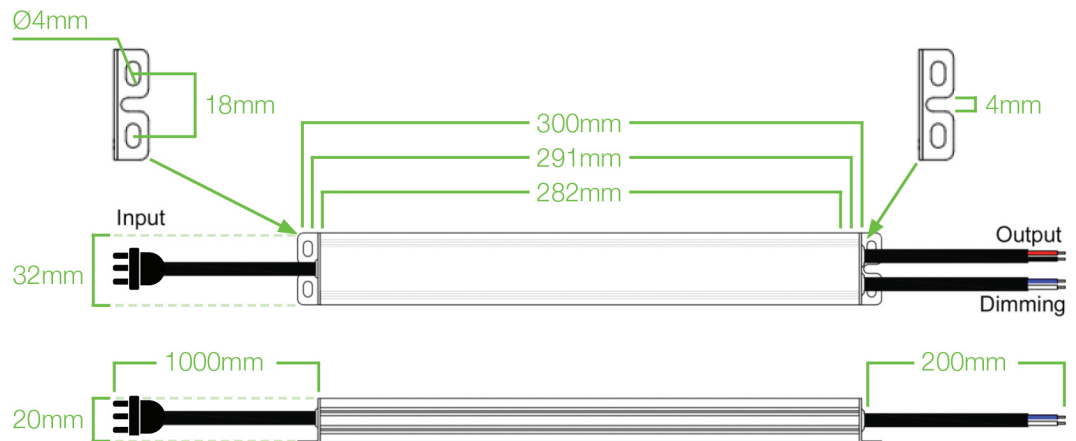
CE       IP66 SELV CB

Model		LMVP-60-12	LMVP-60-24
Output	DC voltage	12V	24V
	Voltage tolerance	±0.5V (see Note 2.)	
	Rated current	5A	2.5A
	Rated power	60W	
Input	Voltage range	200-240VAC	
	Frequency range	47-63HZ	
	Power factor	0.96 @ 230VAC	
	Full load efficiency (Typ.)	83%	86%
	AC current (Max.)	0.5A	0.5A
	Leakage current	<0.50mA	
	Inrush current	57.6A, 50%, 128us	
	MAX. No. of drivers on 16A circuit breaker	4 units (circuit breaker of type B) / 6 units (circuit breaker of type C) at 230VAC	
Protection	Short circuit	Hiccup mode, recovers automatically after fault condition is removed	
	Over loading (Note 4.)	≤120% Hiccup mode, recovers automatically after fault condition is removed	
	Over temperature (Note 6.)	100°C± 10°C	
Environment	Working TEMP.	-40~+60°C (refer to de-rating curve)	
	Working humidity	20-95%RH, non-condensing	
	Storage TEMP., humidity	-40~+80°C, 10-95%RH	
	TEMP. coefficient	±0.03%/°C (0~50°C)	
	Vibration	10-500Hz, 5G 10min./1 cycle, period for 60min, each along X, Y, Z axes	
Safety & EMC	Safety standards	EN61347-1 EN61347-2-13 EN62493 1866	
	Withstand voltage	I/P-O/P:3.75KVAC	
	Isolation resistance	I/P-O/P: 100MΩ/500VDC/25°C/70%RH	
	EMC emissions (Note 3.)	EN55015, EN61000-3-2, EN61000-3-3	
	EMC immunity	EN61000-4-2,3,4,5,6, 11, EN61547	
Others	Net. weight	0.65kg	
	Size	300*32*20mm (L*W*D)	
	Packing	330*270*160mm/20PCS/CTN G.W.:14KG/CTN	
Notes	<ol style="list-style-type: none"> All parameters NOT specially mentioned are measured at 230VAC input, rated load and 25°C of ambient temperature. Tolerance: Includes set up tolerance, line regulation and load regulation. The LED driver is considered as a component that is operated in conjunction with final equipment. EMC performance could be affected by the complete installation. Original equipment manufacturers may need to conduct additional EMC testing and certification on the final equipment. Loading range from 10% to 100%. Specifications are subject to change without prior notice. Contact your supplier to confirm any critical parameters. Reading taken at tc point marked on product label. 		

Input & Output Wiring

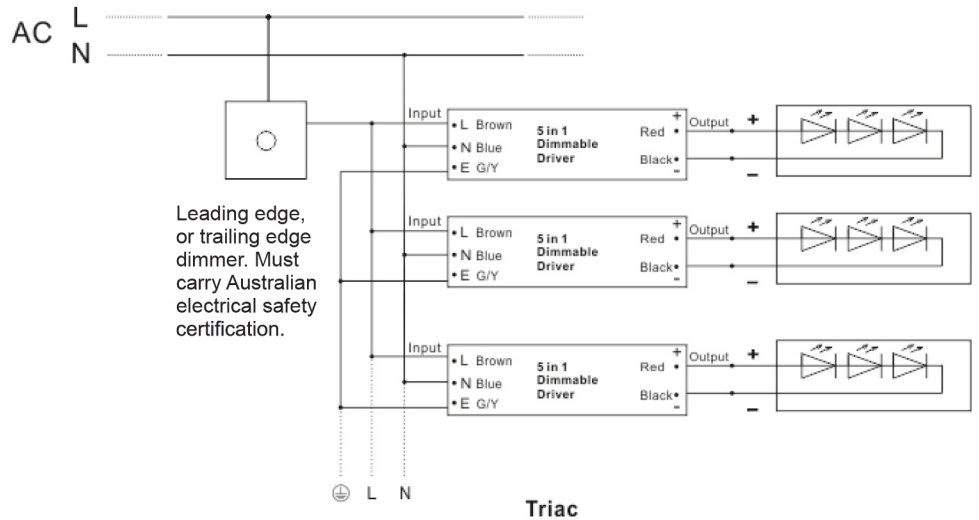
Mechanical Specification

- Input:**
1m AU Flex and Plug
- Output:**
Rubber cable 2*1.0mm²
Red: (V+) Positive
Black: (V-) Negative
- Dimming:**
Rubber cable 2*0.75mm²
Blue: DIM (+)
White: DIM (-)

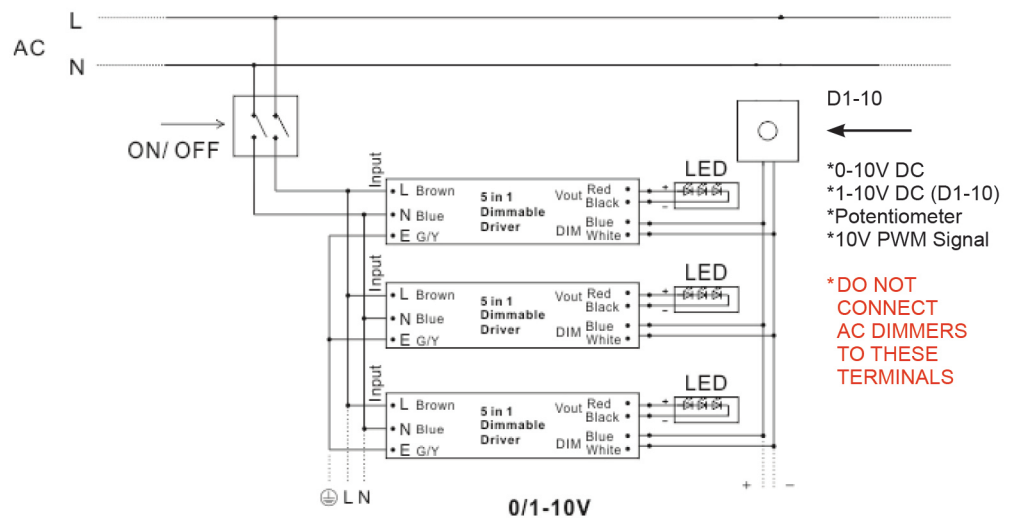


Dimming Operation

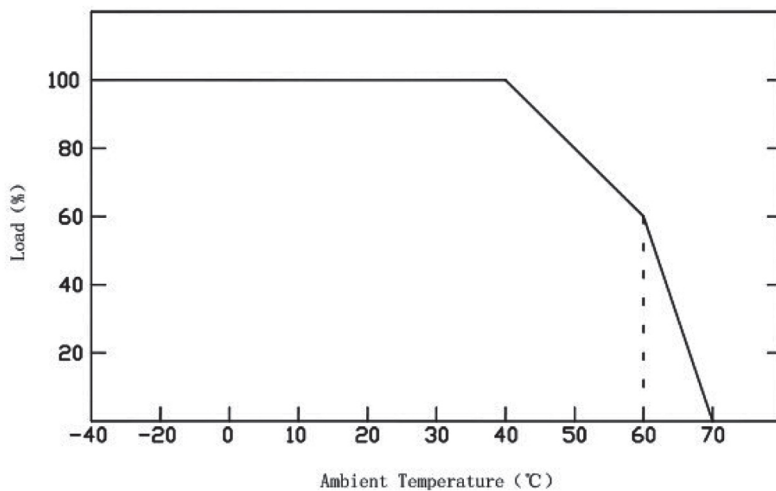
Phase Dimming Connection Diagram



0-10V (1-10V) Connection Diagram



De-Rating Curve



- If being used in higher ambient temperatures, ensure the load on the LED driver is de-rated in accordance with this chart. Failure to do so could lead to a premature failure, which is not covered by the warranty.

Power Source D1-10 1-10V Dimmer



- Dimming range: 10-100%
- Controls up to 30 LED Drivers
- Operating temp: 0-50°C
- Compatible with most switch wall plates

Important

- 1) Refer to Power Source Installation Manual.
- 2) Do Not Cover.
- 3) This LED driver should be installed by a qualified electrician.
- 4) Please make sure the LED driver is installed with adequate ventilation around it to allow for heat dissipation.
- 5) Ensure that all wiring is correct before testing in order to avoid damage to the LED driver, or the LEDs.