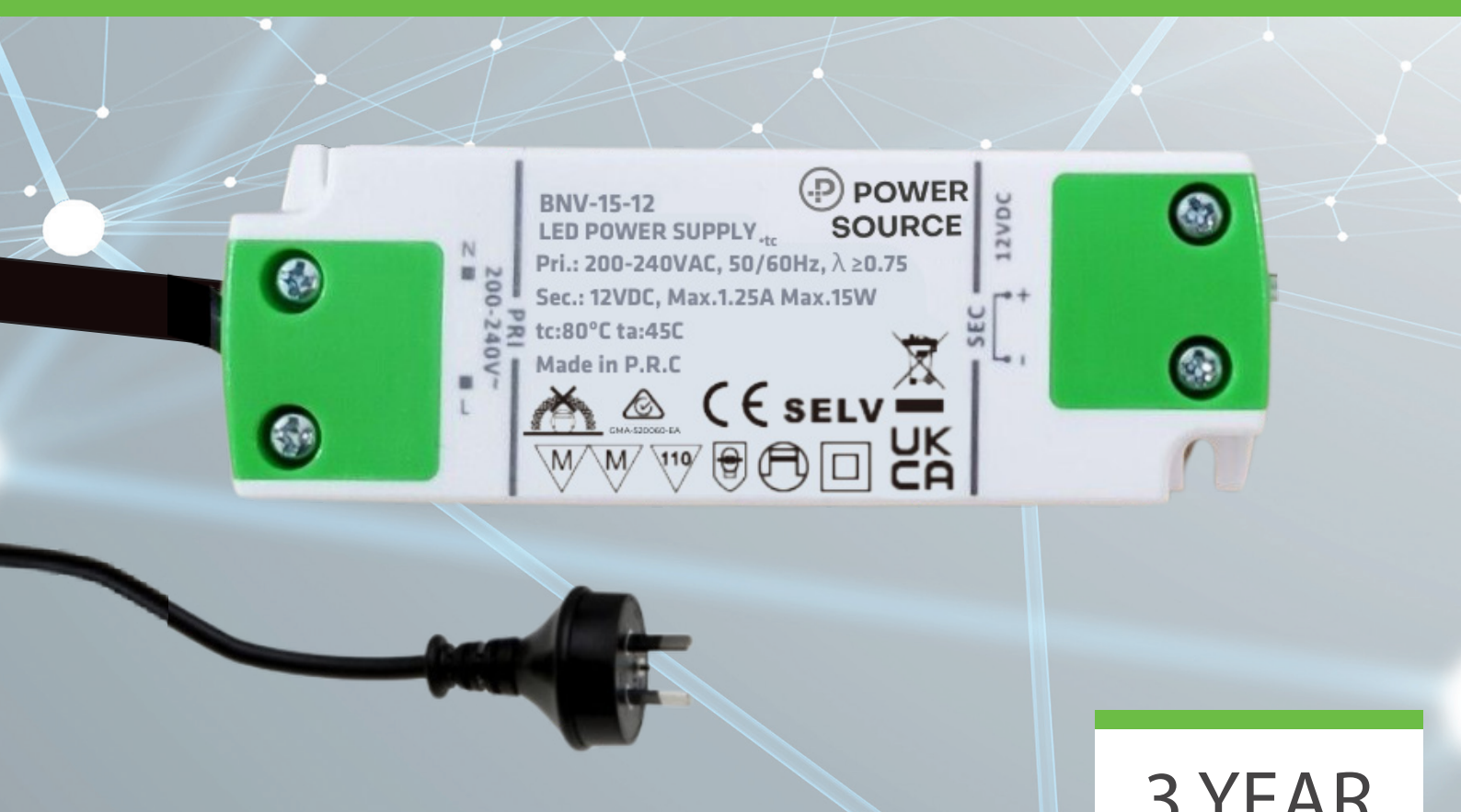


POWER SOURCE



**3 YEAR
WARRANTY**

15W Non Dimmable LED Driver with PWM Output

Features of the: BNV-15 Series

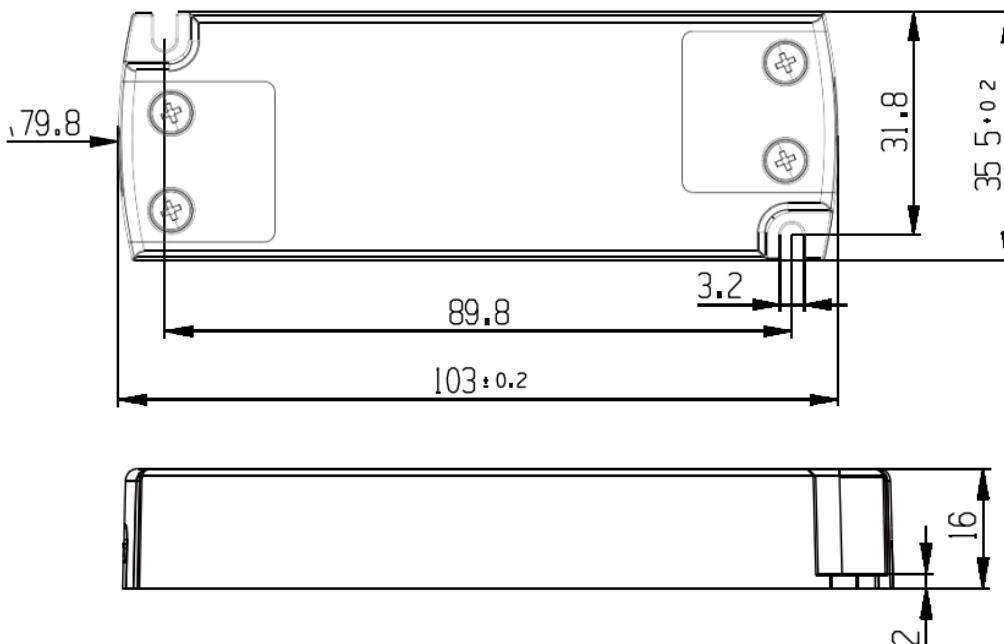
-  Constant Voltage Output
-  AC Input Range: 180-264VAC
-  Protections:
 - Short Circuit
 - Over Load
 - Over Voltage
 - Over Temperature
-  Class II Power Supply
-  IP20 Design For Indoor Installation
-  Cooling by Free Air Convection
-  Factory Fitted Flex and Plug
-  Do not cover



SELV

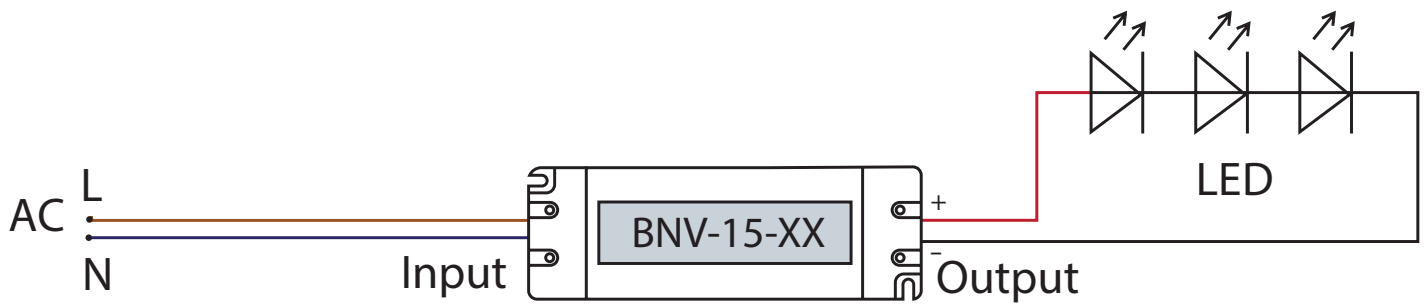
Model		BNV-15-12	BNV-15-24
Output	DC voltage	12V	24V
	Voltage tolerance	±5%	
	Rated current	1.25A	0.625A
	Rated power	15W	
Input	Voltage range	180-264VAC	
	Frequency range	47-63HZ	
	Power factor	PF ≥0.65 (50% load), 0.8 (100% load)	
	Full load efficiency (Typ.)	83%	85%
	AC current (Max.)	0.13A	
	Leakage current	0.7mA	
	Inrush current	Cold Start 60A at 230 VAC	
Protection	Short circuit	≤0.6W - Hiccup mode, auto-recovery after short circuit removed	
	Over load	1.4 times rated load. Auto-recovery after overload removed	
	Over Voltage	1.5 times of rated output voltage. Cycle power to recover	
	Over Temperature	IC detect = TC 115°	
Environment	Working TEMP.	-20~+45°C (refer to derating curve)	
	Working humidity	10-90%RH	
	Storage TEMP, humidity	-40~+85°C, 5-95%RH	
Safety & EMC	Safety standards	AS/NZS 61347.2.13	
	Withstand voltage	I/P-O/P: 3.75KVAC / 5mA. Max /60s	
	Isolation resistance	I/P-O/P: ≥10MΩ/500VDC/25°C	
	EMC emissions (Note 3.)	EN IEC 61000-3-2, EN55015	
Others	Net. weight	0.18KG	
	Size	103*35.5*16mm (L*W*H) 50PCS/CTN	
Notes	<ol style="list-style-type: none"> All parameters NOT specially mentioned are measured at 230VAC input at rated load and 25°C of ambient temperature. testing and certification on the final equipment. Recommended loading range from 10% to 100%. Specifications are subject to change without prior notice. Contact your supplier to confirm any critical parameters. 		

Mechanical Specification

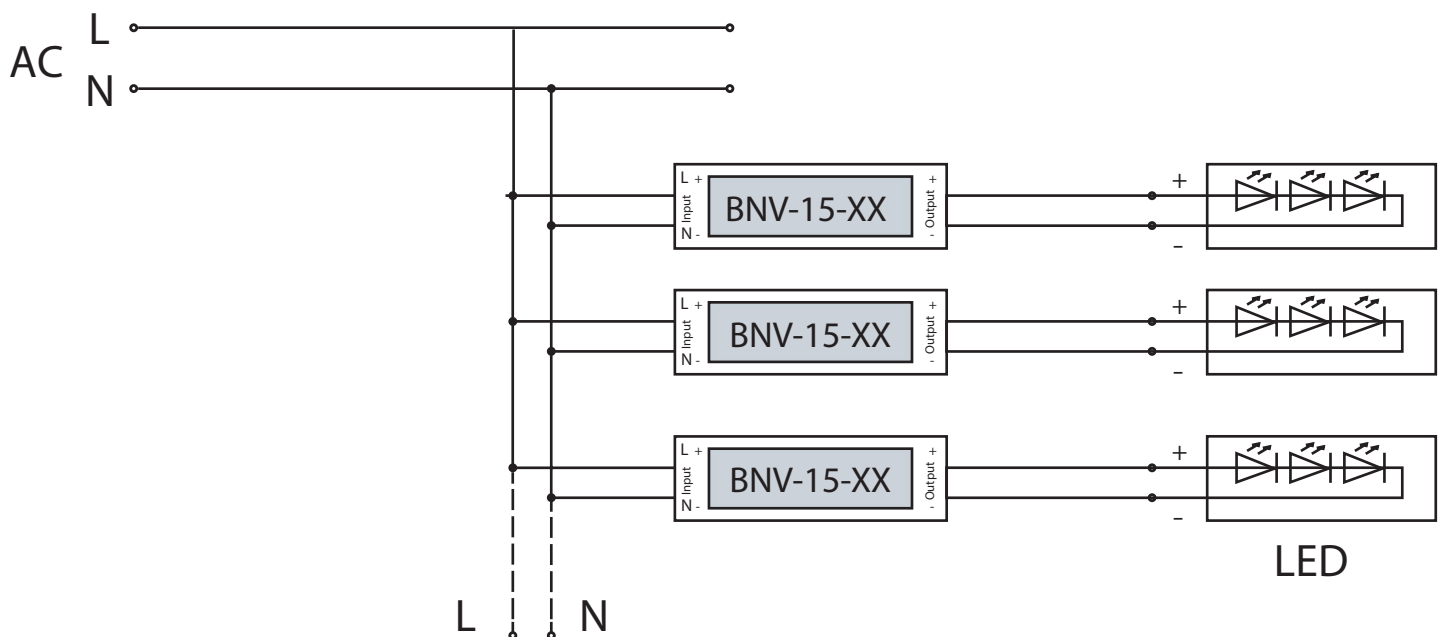


- Connect LED to LED driver via screw terminals under removable cover. Positive (LED+), Negative (LED-).
- Incorrect wiring could result in damage to the power supply, which is not covered by the warranty.
- Contact ADM with specific input, or output configuration requests.

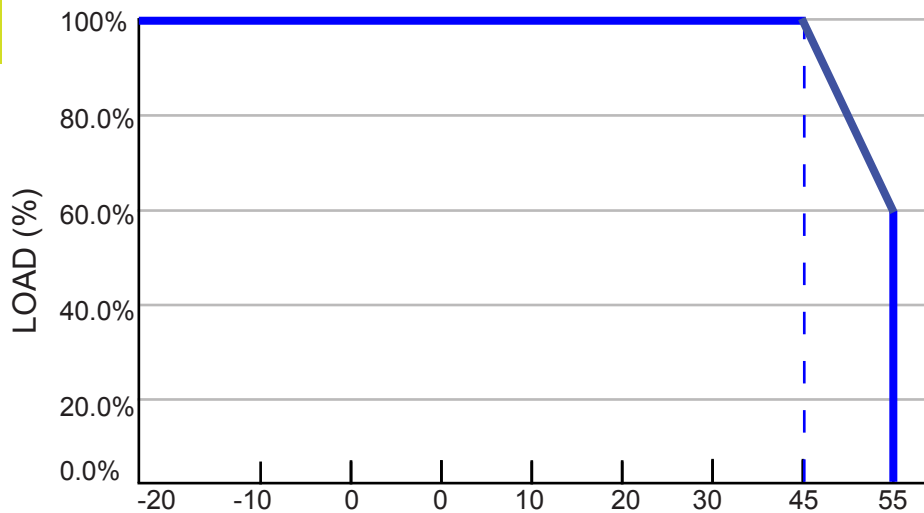
Single Driver Connection Diagram



Multiple Driver Connection Diagram



De-rating Curve



- If being used in higher ambient temperatures, ensure the load on the LED driver is de-rated in accordance with this chart. Failure to do so could lead to a failure, which is not covered by the warranty



Instruction:

- 1) This LED driver should be installed by a qualified electrician.
- 2) Please make sure the LED driver is installed with adequate ventilation around it to allow for heat dissipation.
- 3) Ensure that all wiring is correct before testing in order to avoid damage to the LED driver, or the LEDs.