

# POWER SOURCE



**5 YEAR  
WARRANTY**

**30W**

## Phase Cut Dimmable LED Driver with PWM Output

### Features of the: PDV-30 Series

-  Constant Voltage PWM Output
-  AC Input Range: 200-240VAC with PFC
-  Protections:
  - Short Circuit
  - Over Load
  - Over Current
  - Over Temperature
-  Class II Power Supply
-  IP20 Design For Indoor Installation
-  Cooling by Free Air Convection
-  Compatible with Most Leading and Trailing Edge Dimmers
-  Factory Fitted Flex and Plug

 IP66 SELV

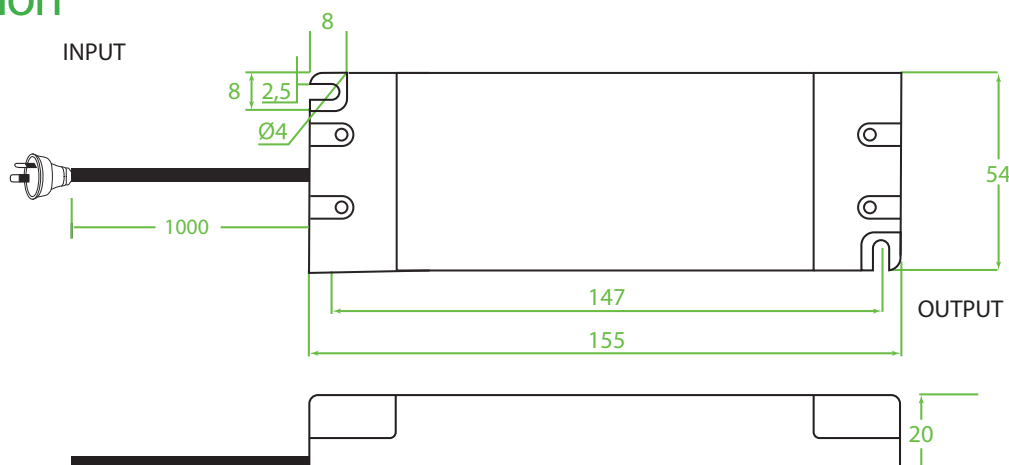
Model		PDV-30-12	PDV-30-24	PDV-30-48
Output	DC voltage	12V	24V	48V
	Voltage tolerance	±0.5V (see Note 2.)		
	Voltage Regulation	≤2%	≤1%	
	Rated Current	2.5A	1.25A	0.63A
	Rated power	30W		
	Loading Regulation	≤0.5%		
Input	Voltage range	200-240VAC		
	Frequency range	47~63HZ		
	Power Factor	PF≥ 0.97/200VAC	PF≥0.97/230VAC	PF≥0.97/240VAC (Full loading)
	Full load efficiency (Typ.)	79%		
	AC current (Max.)	0.22A		
	Leakage current	<0.50mA		
	Inrush current (Typ.)	30A, 90us @ 230VAC		
	MAX. No. of drivers on 16A Circuit breaker	6 units (circuit breaker of type B) / 6 units (circuit breaker of type C) at 230VAC		
Protection	Short circuit	Shut down o/p voltage, re-power on to recover after fault condition is removed		
	Over loading (Note 4.)	≤120% shut down o/p voltage, recovers automatically after fault condition is removed		
	Over temperature	Shell surface temp. 100°C± 10°C shut down o/p voltage, automatically recovers after the temperature drops		
Environment	Working TEMP.	-40 ~ +60°C (refer to de-rating curve)		
	Working humidity	20-90%RH, non-condensing		
	Storage TEMP., humidity	-40~+80°C, 10-95%RH		
	TEMP. coefficient	±0.03%/°C (0-50°C)		
	Vibration	10-500Hz, 2G 10min./1 cycle, period for 60min, each along X, Y, Z axes		
Safety & EMC	Safety standards	EN61347-1 EN61347-2-13		
	Withstand voltage	I/P-O/P: 3.75KVAC		
	Isolation resistance	I/P-O/P: 100MΩ/500VDC/25°C/70%RH		
	EMC emissions (Note 3.)	EN55015, EN61000-3-2-3		
Others	Net. weight	0.22KG		
	Size	155*54*20mm (L*W*H)		
	Packing	160*60*23mm for inner box; 350*240*130mm for carton 40PCS/CTN		
Notes	<ol style="list-style-type: none"> <li>All parameters NOT specially mentioned are measured at 230VAC input, rated load and 25°C of ambient temperature.</li> <li>Tolerance: Includes set up tolerance and load regulation.</li> <li>The power supply is considered as a component that is operated in combination with final equipment. EMC performance could be affected by the complete installation. Original equipment manufacturers may need to conduct additional EMC testing and certification on the final equipment.</li> <li>Loading range from 10% to 100%</li> <li>Specifications are subject to change without prior notice. Contact your supplier to confirm any critical parameters.</li> </ol>			

## Dimming Operation

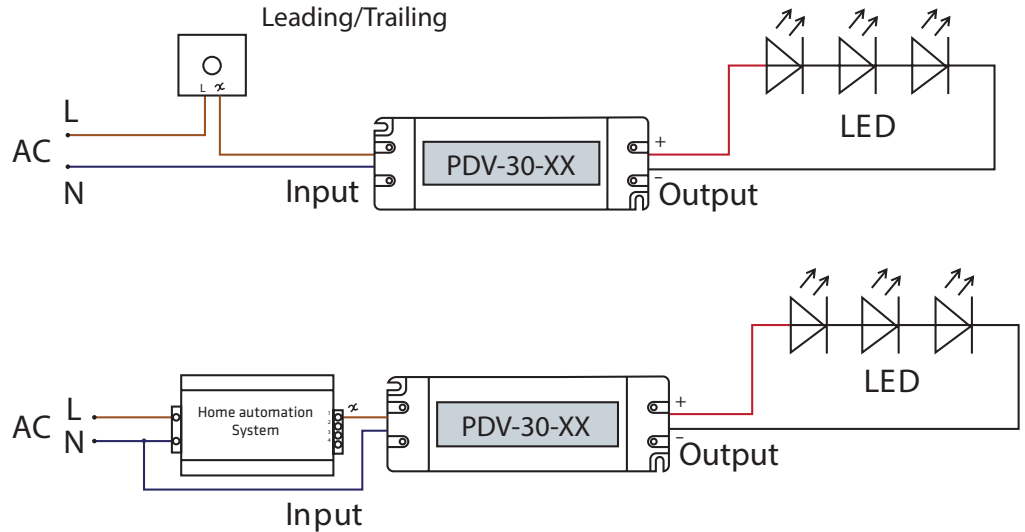
- Dimming is with installing a leading edge, or trailing edge dimmer across the AC input.
- Compatible with most leading edge and trailing edge dimmers. Australian compatibility table available on request.
- It is recommended that a dimmer, with a power rating three times higher than that of the rated output of the LED driver is used.

## Mechanical Specification

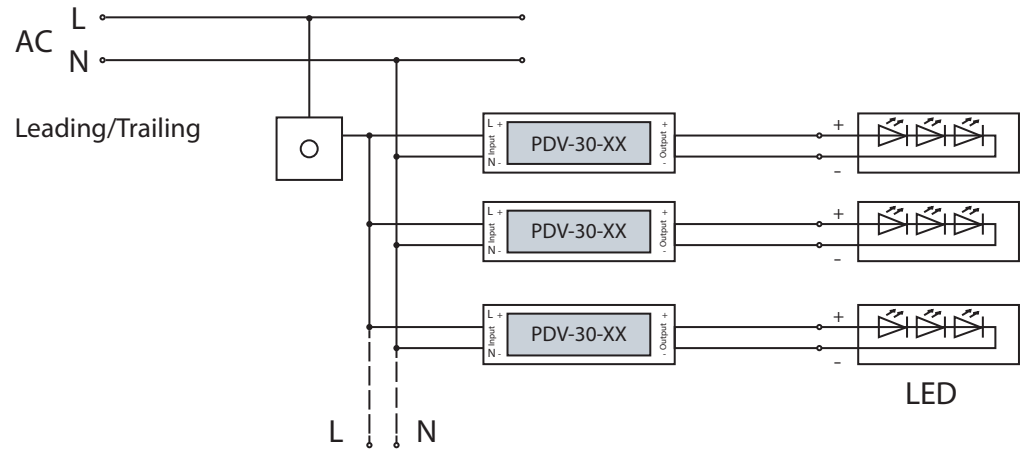
- Connect LED to LED driver via screw terminals under removable cover. Positive (LED+), Negative (LED-).
- Suggested output wire diameter: 0.5-2.5mm<sup>2</sup>.
- Incorrect wiring could result in damage to the power supply, which is not covered by the warranty.
- Contact your supplier with specific input, or output configuration requests.



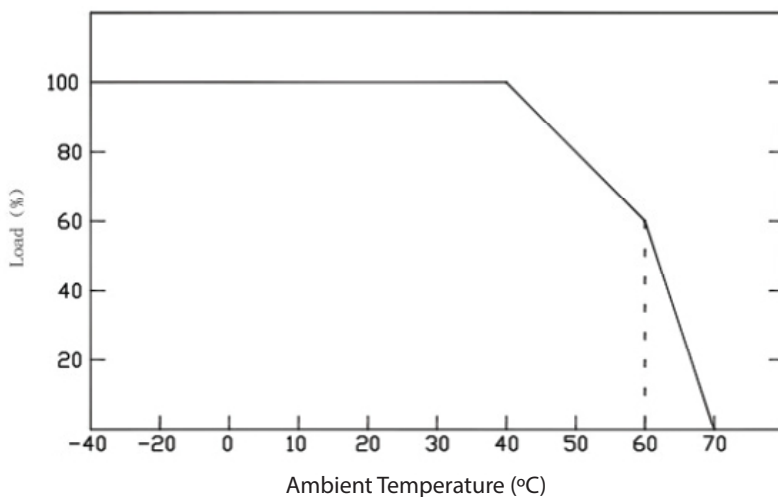
## Single Driver Connection Diagram



## Multiple Drivers Connection Diagram



## De-rating Curve



- If being used in higher ambient temperatures, ensure the load on the LED driver is de-rated in accordance with this chart. Failure to do so could lead to a failure, which is not covered by the warranty



## Important

- 1) This LED driver should be installed by a qualified electrician.
- 2) Please make sure the LED driver is installed with adequate ventilation around it to allow for heat dissipation.
- 3) Ensure that all wiring is correct before testing in order to avoid damage to the LED driver, or the LEDs.