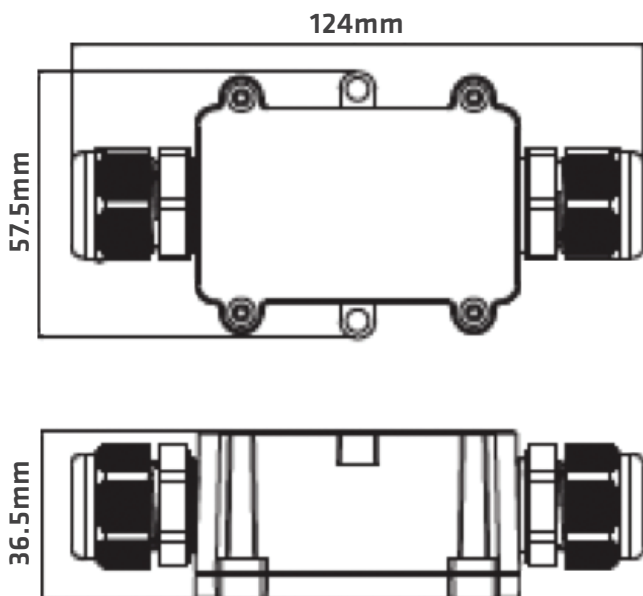


## WB1-SC WATERPROOF JUNCTION BOX



### Features of the: WB1-SC

Voltage Rating	250V
Current Rating Per Pin	20A
Wire OD	5MM-11.5MM
Seal O-Rng Type	Silicon
Operating Temp. Range	-40°C ~ +105°C
IP Rating	IP68
Contact Resistance	≤ 5Ω
Shell Material	Nylon (PA66)