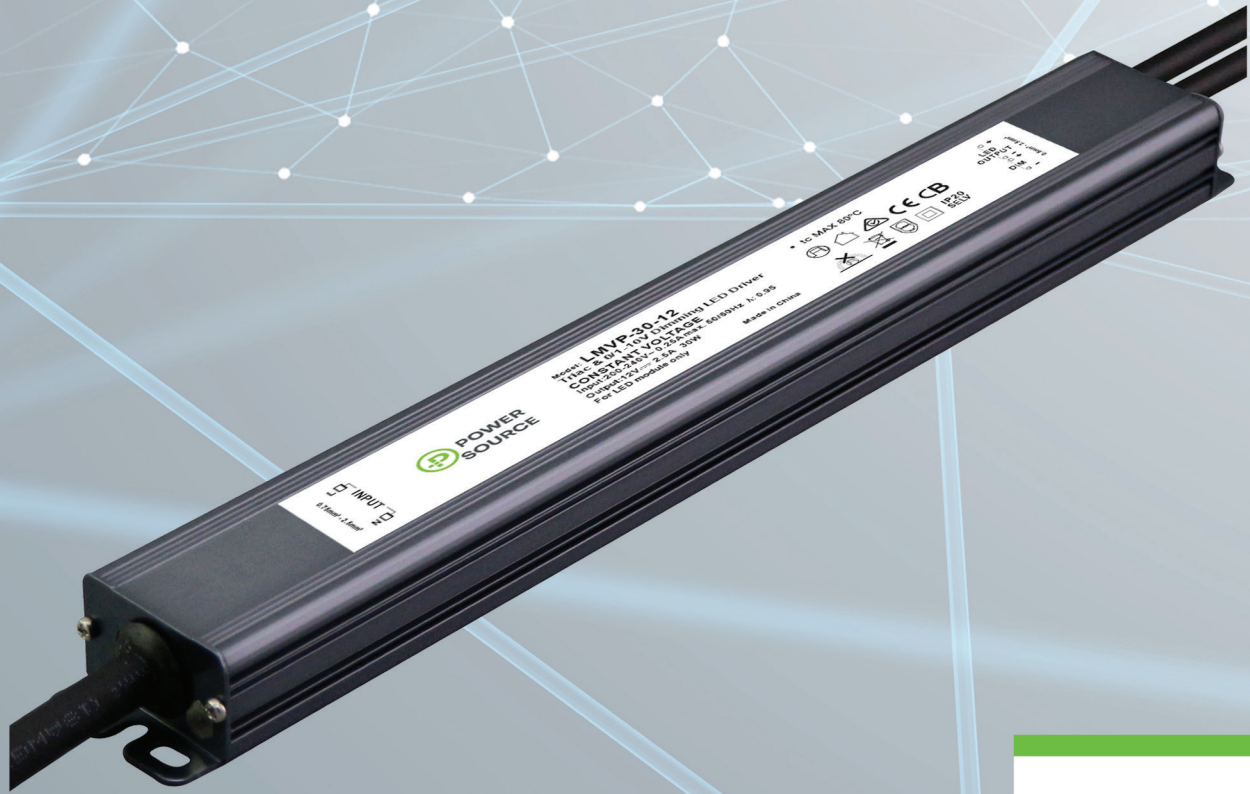


# POWER SOURCE



**5 YEAR  
WARRANTY**

## **30W** **Multi-Dim** **Phasecut +0-10V** **Slimline** **LED Driver** with PWM Output

### Features of the: LMVP-30 Series



Constant  
Voltage PWM  
Output



IP66 Design  
For Outdoor  
Installation



AC Input Range:  
200-240VAC  
with PFC



Cooling by  
Free Air  
Convection



Protections:  
• Short Circuit  
• Over Load  
• Over Temperature



Factory  
Fitted Flex  
and Plug



Class I  
Power Supply



0-10V,  
Phase Cut



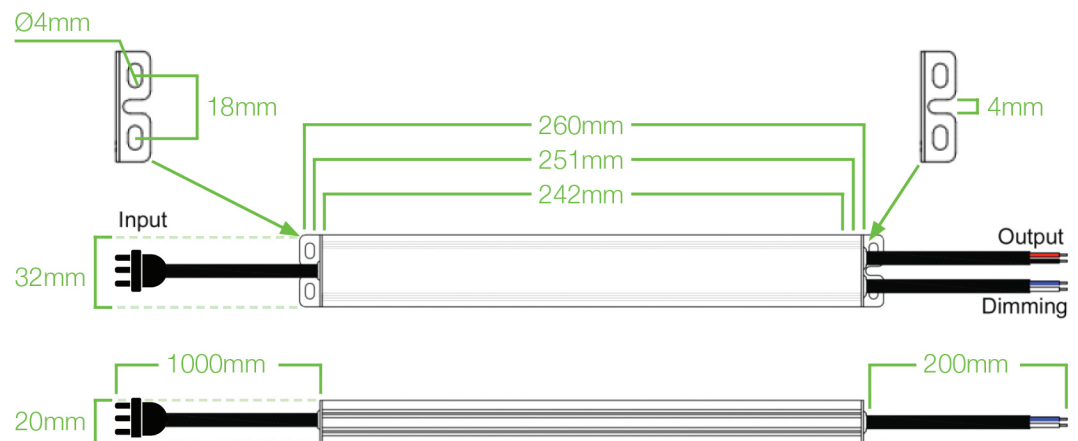
CE     IP66 SELV CB

Model		LMVP-30-12	LMVP-30-24
Output	DC voltage	12V	24V
	Voltage tolerance	±0.5V (see Note 2.)	
	Rated current	2.5A	1.25A
	Rated power	30W	
Input	Voltage range	200-240VAC	
	Frequency range	47~63HZ	
	Power factor	0.96 @ 230VAC	
	Full load efficiency (Typ.)	79%	78%
	AC current (Max.)	0.25A@100VAC	0.25@100VAC
	Leakage current	<0.50mA	
	Inrush current	40.8A, 50%, 102us	
	MAX. No. of drivers on 16A circuit breaker	4 units (circuit breaker of type B) / 6 units (circuit breaker of type C) at 230VAC	
Protection	Short circuit	Hiccup mode, recovers automatically after fault condition is removed	
	Over loading (Note 4.)	≤120% Hiccup mode, recovers automatically after fault condition is removed	
	Over temperature (Note 6.)	100°C± 10°C	
Environment	Working TEMP.	-40~+60°C (refer to de-rating curve)	
	Working humidity	20~95%RH, non-condensing	
	Storage TEMP., humidity	-40~+80°C, 10~95%RH	
	TEMP. coefficient	±0.03%/°C (0~50°C)	
	Vibration	10-500Hz, 5G 10min./1 cycle, period for 60min, each along X, Y, Z axes	
Safety & EMC	Safety standards	EN61347-1 EN61347-2-13 EN62493 1866	
	Withstand voltage	I/P-O/P:3.75KVAC	
	Isolation resistance	I/P-O/P: 100MΩ/500VDC/25°C/70%RH	
	EMC emissions (Note 3.)	EN55015, EN61000-3-2, EN61000-3-3	
Others	EMC immunity	EN61000-4-2,3,4,5,6, 11, EN61547	
	Net. weight	0.55kg	
	Size	260*32*20mm (L*W*D)	
Notes	Packing	290*160*175mm/20PCS/CTN G.W.:12KG/CTN	
	<ol style="list-style-type: none"> <li>All parameters NOT specially mentioned are measured at 230VAC input, rated load and 25°C of ambient temperature.</li> <li>Tolerance: Includes set up tolerance, line regulation and load regulation.</li> <li>The LED driver is considered as a component that is operated in conjunction with final equipment. EMC performance could be affected by the complete installation. Original equipment manufacturers may need to conduct additional EMC testing and certification on the final equipment.</li> <li>Loading range from 10% to 100%.</li> <li>Specifications are subject to change without prior notice. Contact your supplier to confirm any critical parameters.</li> <li>Reading taken at tc point marked on product label.</li> </ol>		

## Input & Output Wiring

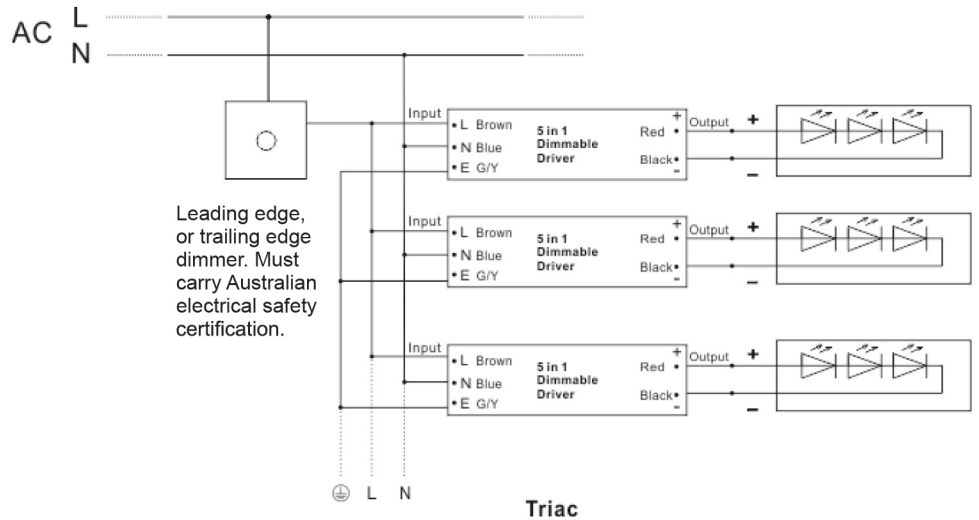
## Mechanical Specification

- Input:**  
1m AU Flex and Plug
- Output:**  
Rubber cable 2\*1.0mm<sup>2</sup>  
Red: (V+) Positive  
Black: (V-) Negative
- Dimming:**  
Rubber cable 2\*0.75mm<sup>2</sup>  
Blue: DIM (+)  
White: DIM (-)

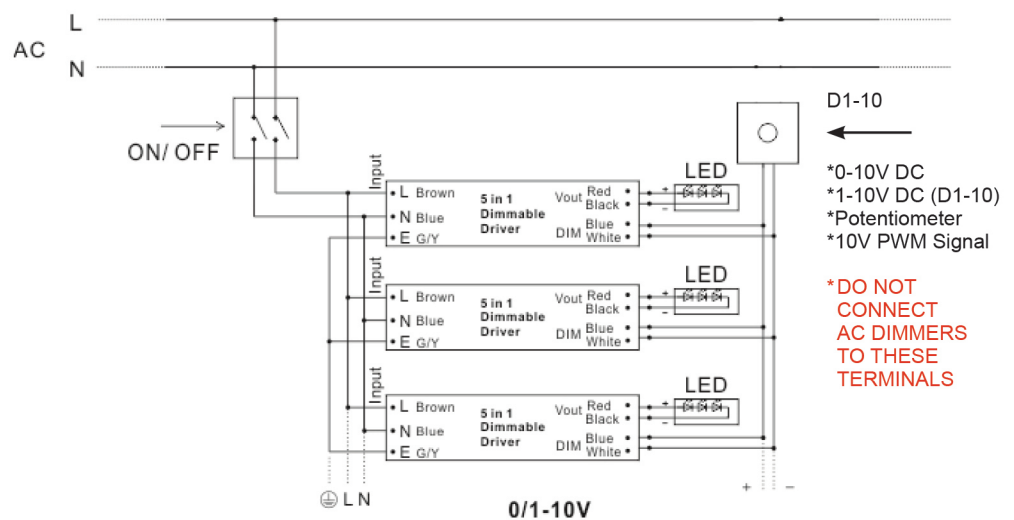


# Dimming Operation

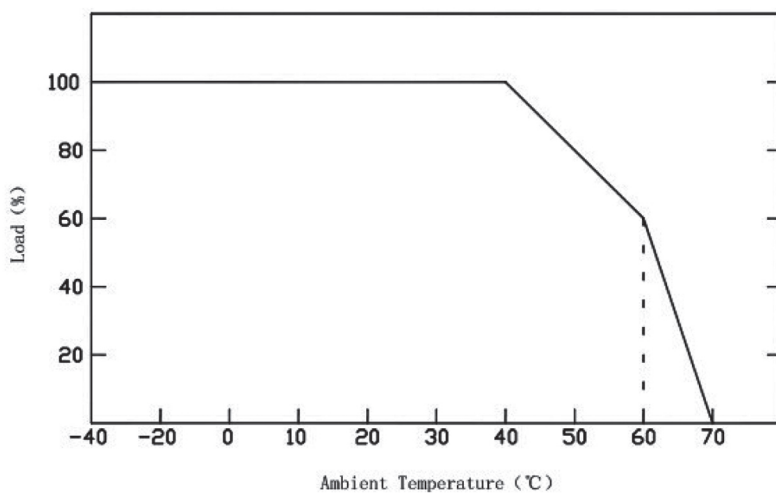
## Phase Dimming Connection Diagram



## 0-10V (1-10V) Connection Diagram



## De-Rating Curve



- If being used in higher ambient temperatures, ensure the load on the LED driver is de-rated in accordance with this chart. Failure to do so could lead to a premature failure, which is not covered by the warranty.

## Power Source D1-10 1-10V Dimmer



- Dimming range: 10-100%
- Controls up to 30 LED Drivers
- Operating temp: 0-50°C
- Compatible with most switch wall plates

## Important

- 1) Refer to Power Source Installation Manual.
- 2) Do Not Cover.
- 3) This LED driver should be installed by a qualified electrician.
- 4) Please make sure the LED driver is installed with adequate ventilation around it to allow for heat dissipation.
- 5) Ensure that all wiring is correct before testing in order to avoid damage to the LED driver, or the LEDs.