

Detached LED Driver + Sensor Head with Bluetooth® 5.0 SIG Mesh

HED1025 HEC7030/BF HED8045 HED1045
HED1050L HED1050H HED1080H

Constant Current

HYTRONIK®



Product Description

Supporting Switch-Dim, 1-10V and DALI, or controlled by 4 types of Bluetooth antenna options, Hex-Drive™ series includes total 7 driver models with maximum output ranging from 25W up to 80W. By simply connecting Bluetooth sensor head HBT01/HBT02/HIR13/HIR16/HIR62/HIR62/R to the driver, it allows for motion detection and Bluetooth mesh control. Once the sensor head is connected to the driver, DALI & 1-10V control are then disabled and sensor antenna will take control. With Bluetooth wireless mesh networking, it makes communication between luminaires much easier without time-consuming hardwiring, which eventually saves costs for projects. Meanwhile, simple device setup and commissioning can be done via **Koolmesh™** app.



App Features

- Quick setup mode & advanced setup mode
- Tri-level control
- Daylight harvest
- Circadian rhythm (Human centric lighting)
- Floorplan feature to simplify project planning
- Web app/platform for dedicated project management
- Koolmesh Pro iPad version for on-site configuration
- Grouping luminaires via mesh network
- Scenes
- Detailed motion sensor settings
- Dusk/Dawn photocell (Twilight function)
- Push switch configuration
- Schedule to run scenes based on time and date
- Astro timer (sunrise and sunset)
- Staircase function (master & slave)
- Internet-of-Things (IoT) featured
- Device firmware update over-the-air (OTA)
- Device social relations check
- Bulk commissioning (copy and paste settings)
- Dynamic daylight harvest auto-adaptation
- Power-on status (memory against power loss)
- Offline commissioning
- Different permission levels via authority management
- Network sharing via QR code or keycode
- Remote control via gateway support HBGW01
- Interoperability with Hytronik Bluetooth product portfolio
- Compatible with EnOcean switch EWSSB/EWSDB
- Continuous development in progress...

Hardware Features

- Switch-Dim
- 1-10V
- With DALI feedback
- 4 types of optional sensor heads available
- Plug'n'Play for flexible installation and cost saving assemble
- Photocell Advance™
- Insulated terminal cover with cord restraint
- Stand by power <0.5W
- Active PFC design
- Analogue flicker-free dimming
- Logarithmic dimming with multiple dimming inputs
- Configurable constant power (CC) output via DIP switch
- Open-circuit Protection
- Over-temperature Protection
- Short-circuit Protection
- Overload Protection
- 5-year warranty, designed for long lifetime up to 50,000 hours

Current Output Configuration

HED1025, 1x25W

700mA	●●●●
675mA	○●●●
650mA	●○●●
625mA	○○●●
600mA	●●○●
575mA	●●●○
550mA	○●○●
525mA	○●○●
500mA	○●○●
475mA	○●○●
450mA	○●○●
425mA	○●○●
400mA	○●○●
375mA	○●○●
350mA	○●○●
325mA	○●○●
	1 2 3 4

HEC7030/BF, 1x30W

900mA	●●●●
750mA	○●●●
700mA	●○●●
550mA	○●○●
500mA	●●○●
350mA	○●○●
	1 2 3

HED1045, 1x45W

1400mA	●●●●●
120mA	○●●●●
1050mA	●○●●●
900mA	○●○●●
700mA	●●○●●
500mA	○●○●●
	1 2 3 4 5

HED8045, 1x45W

1000mA	○○○○●
900mA	○○○○○
800mA	○○●○○
700mA	○●○○○
600mA	●○○○○
500mA	○○○○○
	1 2 3 4 5

HED1050H, 1x50W

1200mA	●●●●●
1150mA	○●●●●
1100mA	●○●●●
1050mA	○●○●●
1000mA	○●○●●
950mA	○●○●●
900mA	○●○●●
850mA	○●○●●
800mA	○●○●●
750mA	○●○●●
700mA	○●○●●
650mA	○●○●●
600mA	○●○●●
550mA	○●○●●
500mA	○●○●●
	1 2 3 4 5

HED1050L, 1x50W

600mA	●●●●●
575mA	○●●●●
550mA	●○●●●
525mA	○●○●●
500mA	○●○●●
475mA	○●○●●
450mA	○●○●●
425mA	○●○●●
400mA	○●○●●
375mA	○●○●●
350mA	○●○●●
325mA	○●○●●
300mA	○●○●●
275mA	○●○●●
250mA	○●○●●
225mA	○●○●●
	1 2 3 4 5

HED1080H, 1x80W

1650mA	●●●●●
1600mA	○●●●●
1550mA	●○●●●
1500mA	○●○●●
1450mA	○●○●●
1400mA	○●○●●
1350mA	○●○●●
1300mA	○●○●●
1250mA	○●○●●
1200mA	○●○●●
1150mA	○●○●●
1100mA	○●○●●
1050mA	○●○●●
1000mA	○●○●●
950mA	○●○●●
900mA	○●○●●
	1 2 3 4 5

Bluetooth 5.0 SIG mesh



iOS 10.0 or later



Android 5.0 or later



Koolmesh Pro for iPad



for iOS



for Android



for iPad





for Web

Web app/platform:
iot.koolmesh.com



EnOcean
Self-powered IoT

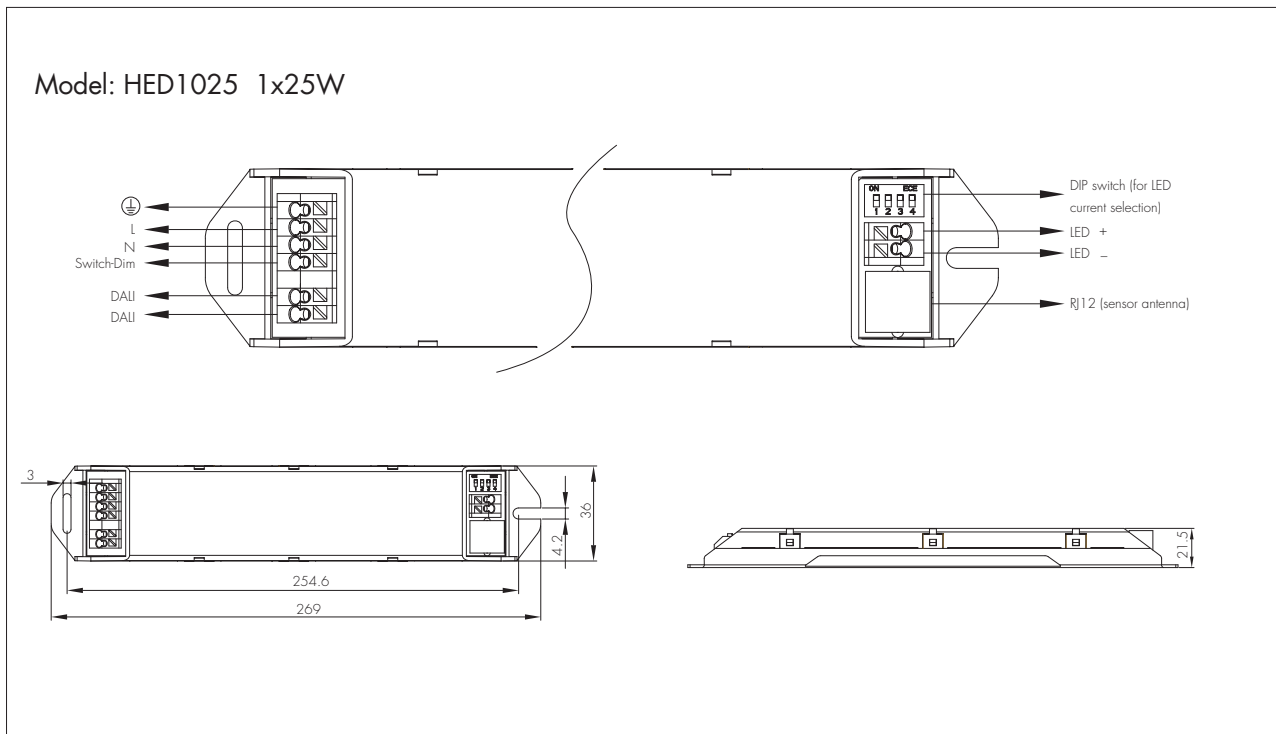
Fully support
EnOcean switch
EWSSB/EWSDB

Technical Specifications

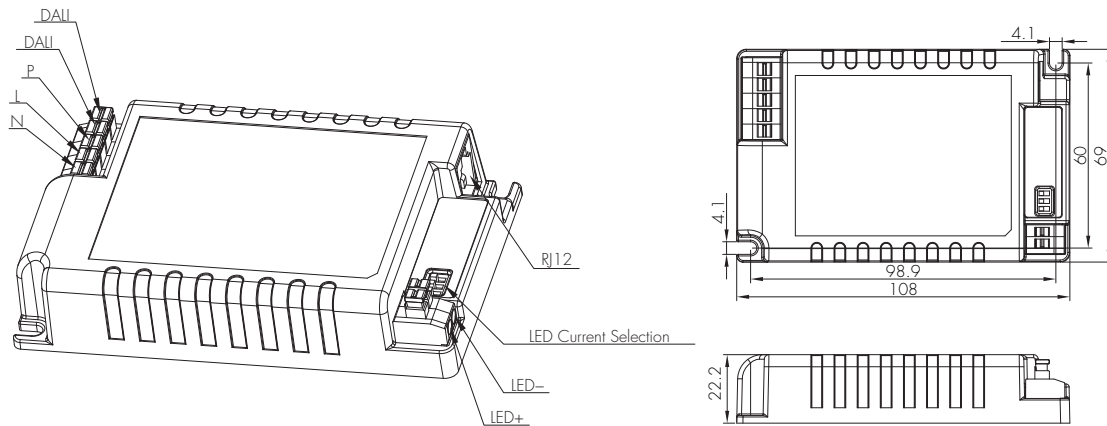
	Model No.	HED1025	HED8045	HED1045	HED1050H	HED1050L	HED1080H	HEC7030/BF
Input	Mains Voltage	220~240VAC 50/60Hz						
	Mains Current	0.15~0.13A	0.24~0.22A	0.22~0.2A	0.3~0.25A	0.3~0.25A	0.45~0.4A	0.17~0.16A
	Power Factor	0.9	0.95	0.95	0.95	0.96	0.95	0.9
	Max. Efficiency	88%						
	Dielectric Strength	Input→Output : 3000VAC						
	Leakage Current	< 0.25mA						
Output	Ripple Current	<3%	<3%	<3%	<3%	<3%	<3%	<3%
	Uout Max.	90V	63V	75V	110V	200V	120V	75V
	Turn-on Time	< 0.5s	< 0.5s	< 0.5s	< 0.5s	< 0.5s	< 0.5s	< 0.5s
	Dimming Interface	DAI Switch-Dim	DAI Switch-Dim	DAI, 1-10V, Switch-Dim				DAI Switch-Dim
Environment	Operation Temp.	Ta: -20~+50°C	Ta: -20~+45°C	Ta: -20~+45°C	Ta: -20~+50°C	Ta: -20~+50°C	Ta: -20~+50°C	Ta: -20~+50°C
	Case Temp. (Max.)	80°C	75°C	85°C	80°C	80°C	80°C	80°C
	IP Rating	IP20						
Safety and EMC	EMC Standard	EN55015, EN61547, EN61000-3-2, EN61000-3-3						
	Safety Standard	EN61347-1, EN62493, EN61347-2-13						
	DAI Standard	IEC62386-101 ; IEC62386-102 ; IEC62386-207						
	Certifications	CB, RCM, CE , EMC						

Model No.	Max. output power/current/voltage range			
HED1025	19.5W/ 325mA /12~60V	21W/ 350mA /12~60V	22.5W/ 375mA /12~60V	24W/ 400mA /12~60V
	25.5W/ 425mA /12~60V	27W/ 450mA /12~60V	26W/ 475mA /12~55V	27.5W/ 500mA /12~55V
	26W/ 525mA /12~50V	27.5W/ 550mA /12~50V	26W/ 575mA /12~45V	27W/ 600mA /12~45V
	28W/ 625mA /12~45V	28W/ 650mA /12~43V	27W/ 675mA /12~40V	28W/ 700mA /12~40V
HED1045	28W/ 500mA /12~56V	40W/ 700mA /12~56V	45W/ 900mA /12~50V	45W/ 1050mA /12~42V
	40W/ 1200mA /12~34V	40W/ 1400mA /12~28V		
HED1050H	40W/ 500mA /12~80V	44W/ 550mA /12~80V	49W/ 600mA /12~80V	49W/ 650mA /12~75V
	49W/700mA /12~70V	50W/ 750mA /12~66V	50W/ 800mA /12~62V	50W/ 850mA /12~59V
	49W/ 900mA /12~55V	49W/ 950mA /12~53V	50W/ 1000mA /12~50V	50W/ 1050mA /12~47V
	50W/ 1100mA /12~45V	50W/ 1150mA /12~43V	50W/ 1200mA /12~42V	
HED1050L	34W/225mA /36~150V	38W/ 250mA /36~150V	41W/ 275mA /36~150V	45W/ 300mA /36~150V
	49W/325mA /36~150V	50W/ 350mA /36~140V	50W/ 375mA /36~130V	50W/ 400mA /36~125V
	50W/ 425mA /36~115V	50W/ 450mA /36~110V	50W/ 475mA /36~105V	50W/ 500mA /36~100V
	50W/ 525mA /36~95V	50W/ 550mA /36~90V	50W/ 575mA /36~86V	50W/ 600mA /36~83V
HED1080H	67W/900mA /16~75V	71W/ 950mA /16~75V	75W/ 1000mA /16~75V	78W/ 1050mA /16~74V
	79W/ 1100mA /16~72V	80W/ 1150mA /16~70V	80W/ 1200mA /16~66V	80W/ 1250mA /16~64V
	80W/ 1300mA /16~61V	80W/ 1350mA /16~59V	80W/ 1400mA /16~57V	80W/ 1450mA /16~55V
	80W/1500mA /16~53V	80W/ 1550mA /16~51V	80W/ 1600mA /16~50V	80W/ 1650mA /16~48V
HEC7030/BF	3.5-20W/350mA /10-57V	5-29W/ 500mA /10-57V	5.5-30W/ 550mA /10-55V	7-30W/ 700mA /10-43V
	7.5-30W/ 750mA /10-40V	9-23W/900mA /10-25V		
HED8045	7-24W/500mA /15-48V	9-29W/ 600mA /15-48V	10-34W/ 700mA /15-48V	12-38W/ 800mA /15-48V
	13-43W/ 900mA /15-48V	15-43W/ 1000mA /15-43V		

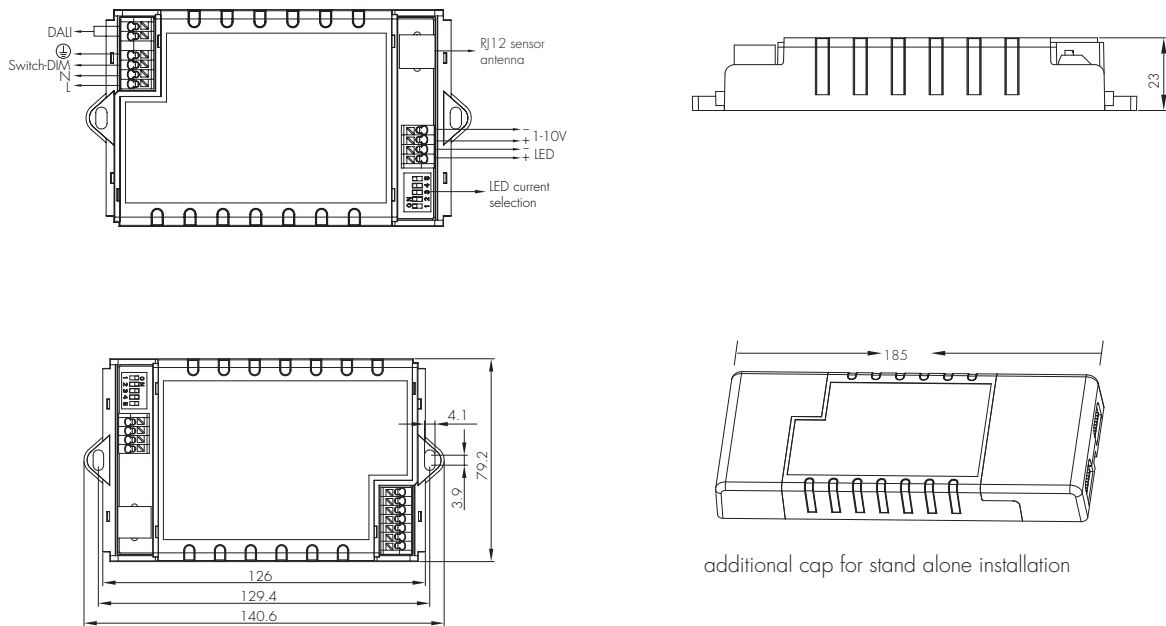
Mechanical Structure & Dimensions



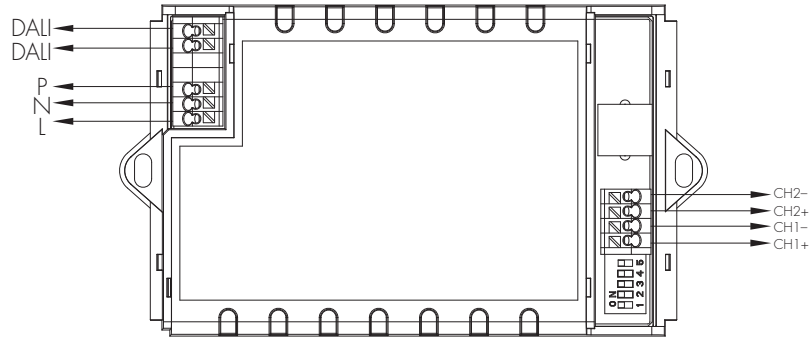
Model: HEC7030/BF 1x30W



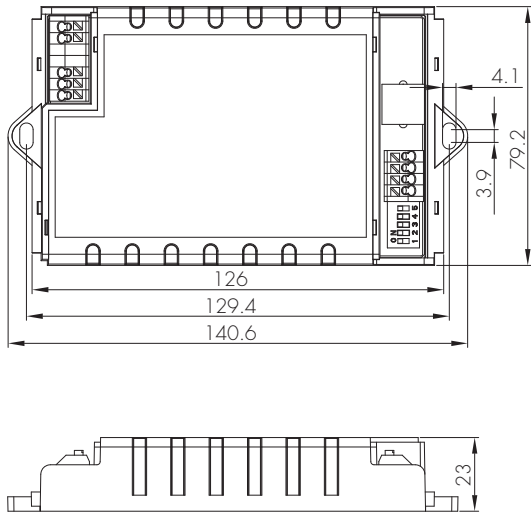
Model: HED1045 1x45W



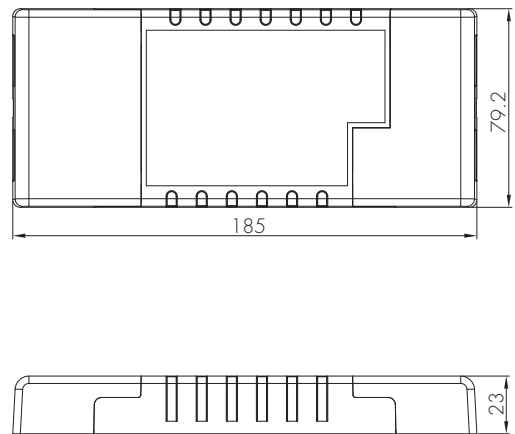
Model: HED8045 1x45W



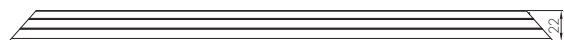
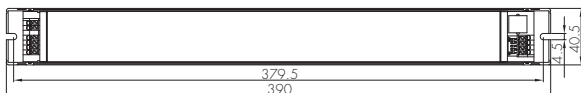
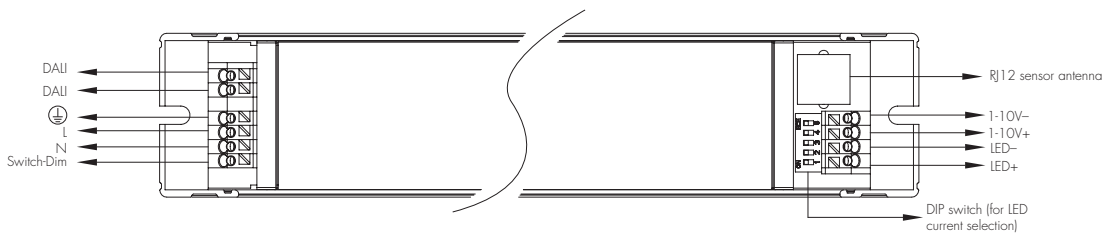
Built-in installation



Stand-alone installation



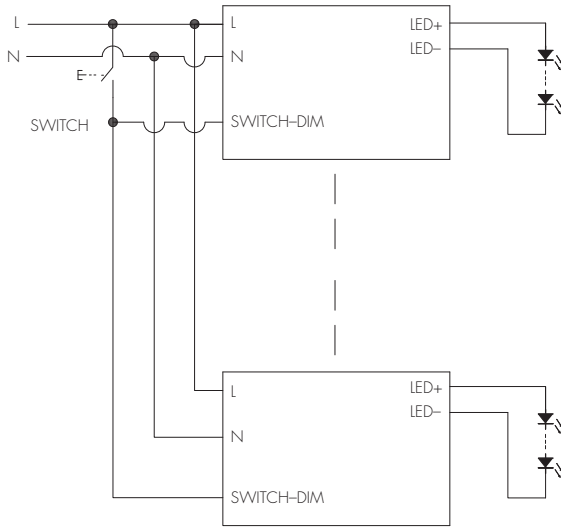
Model: HED1050H 1x50W high current
 HED1050L 1x50W low current
 HED1080H 1x80W high current



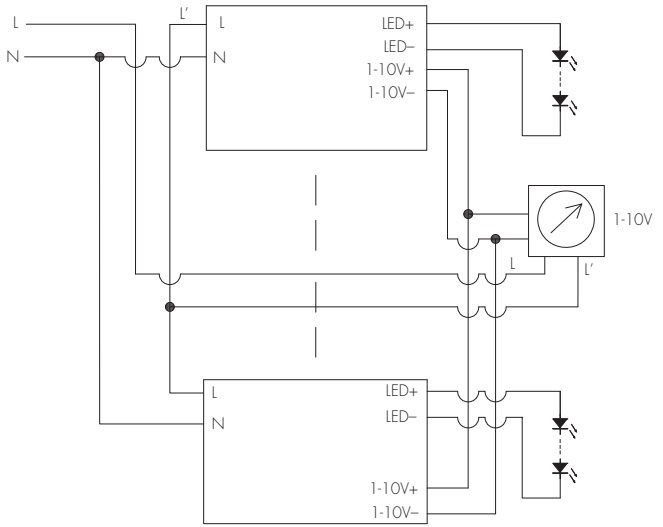
Wiring Diagram

HED1025 HED1045 HED1050H HED1050L HED1080H

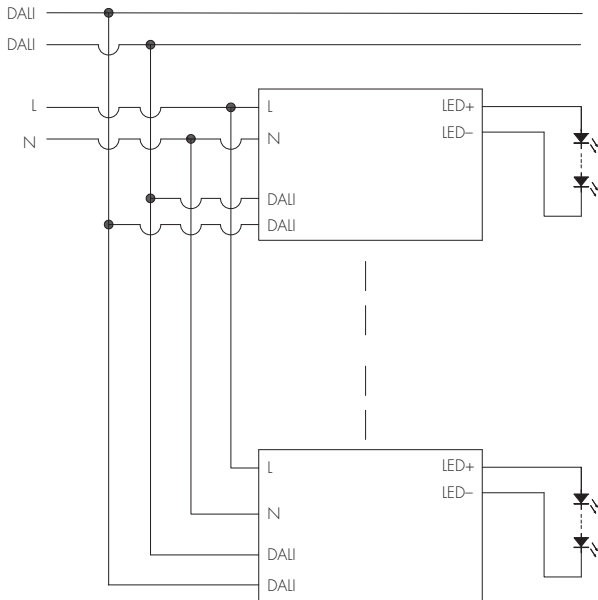
Switch-Dim Connections



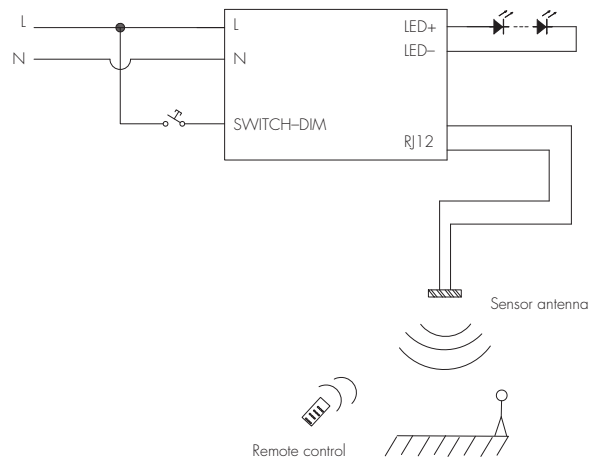
1-10V Connections



DALI Connections

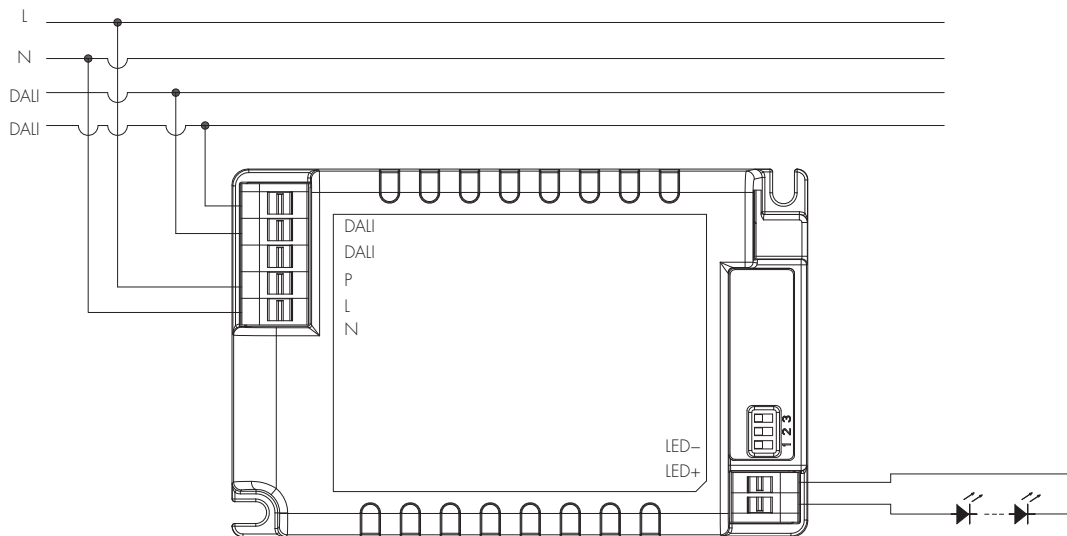


Antenna Connections (with optional Switch-Dim)

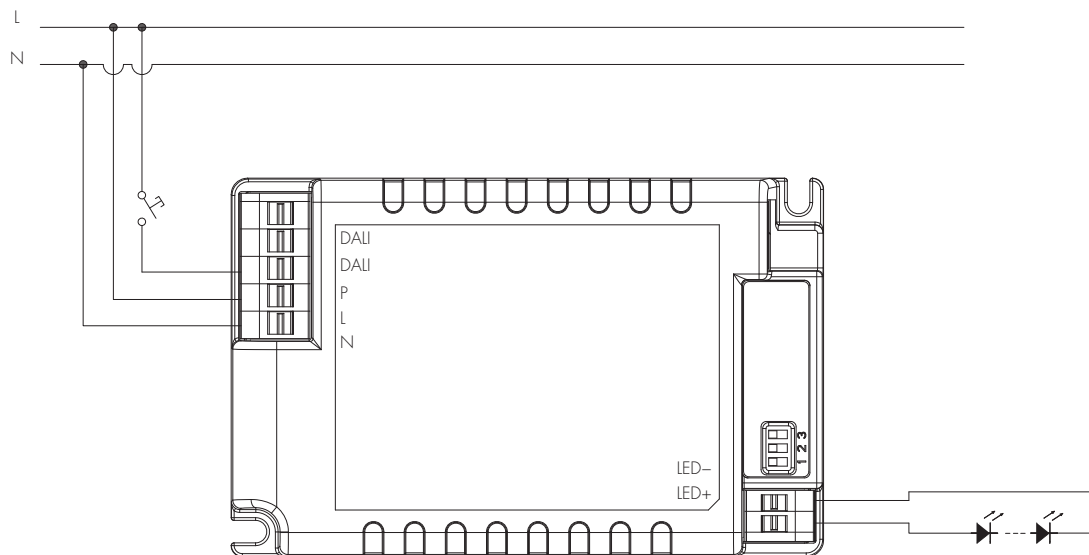


Note: 1. Unused terminals have been omitted for clarity.
2. If connecting an antenna, the DALI and 1-10V inputs are disabled.

Wiring Diagram For DALI

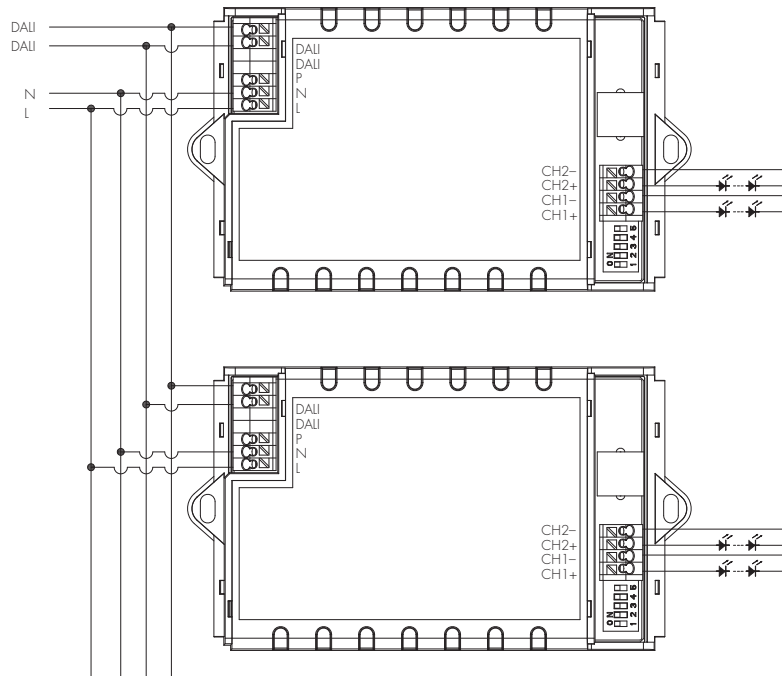


Wiring Diagram For Switch-Dim

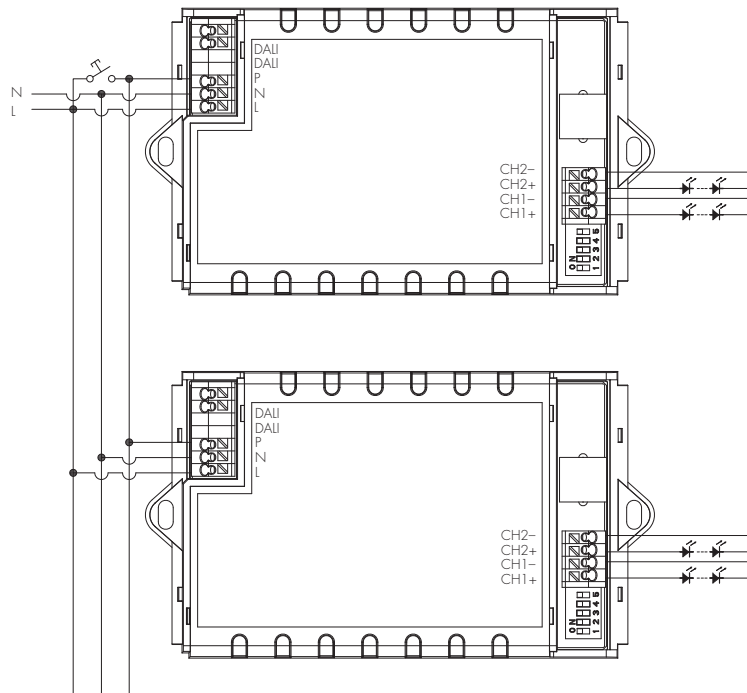


HED8045

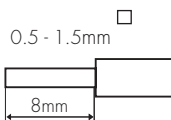
Wiring Diagram For DALI



Wiring Diagram For Switch-Dim



Wire Preparation



To make or release the wire from the terminal, use a screwdriver to push down the button.

Loading and In-rush Current

Model	HED1025	HEC7030/BF	HED8045	HED1045	HED1050H	HED1050L	HED1080H
In-rush Current (I _{max.})	40A	67A	42A	54A	60A	63A	66A
Pulse Time	98.4 μs	89.3 μs	30 μs	44 μs	24 μs	24 μs	42 μs

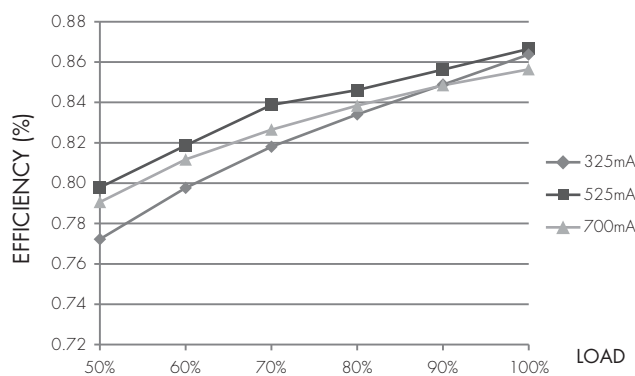
Circuit Breaker Information

Automatic circuit breaker type	B16A	B10A	B13A	B20A	B25A
HED1025	65	40	52	81	101
HEC7030/BF	54	34	43	67	84
HED8045	43	27	35	54	67
HED1045	30	18	24	37	46
HED1050H	20	12	16	25	31
HED1050L	20	12	16	25	31
HED1080H	16	10	12	20	24

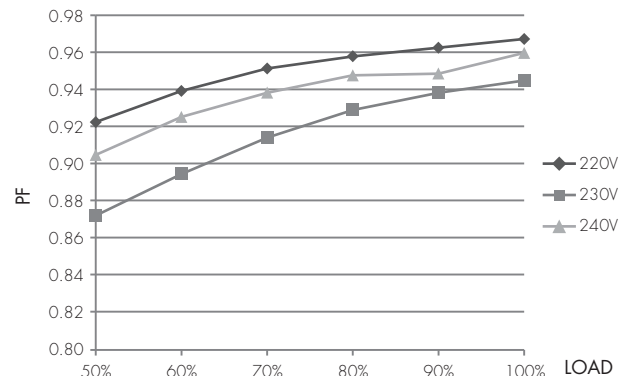
The data above is calculated according to the formula: Maximum Amount = $16 / (P_n / 230)$. In order to provide a more reliable reference in real application, the data have been revised to take 60% of the number calculated, i.e. $16 / (P_n / 230) \times 60\%$. Please kindly take note that the calculation is based on ABB circuit breaker series S200. Actual values may differ due to different types of circuit breaker used and installation environment.

Performance Characteristics

HED1025

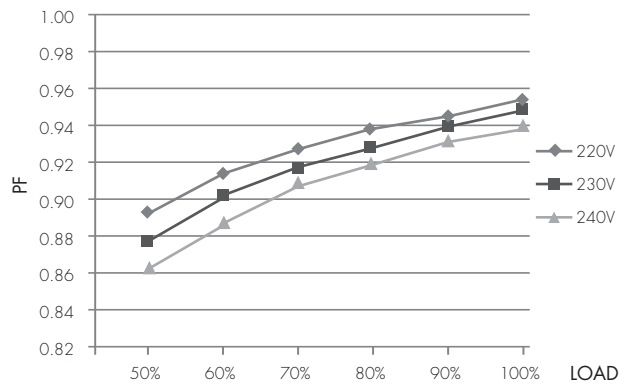
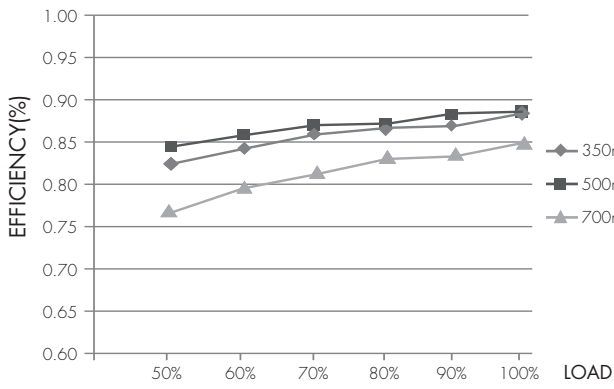


* Typical Efficiency vs Load

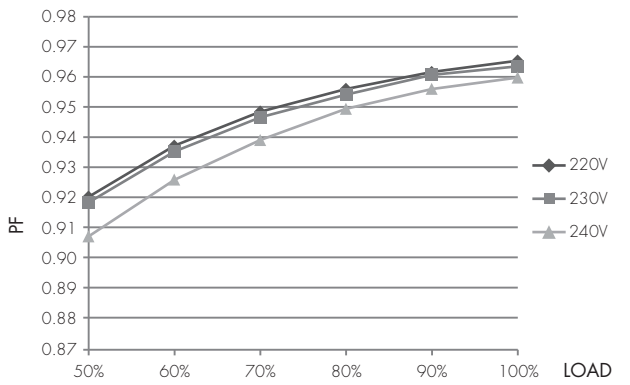
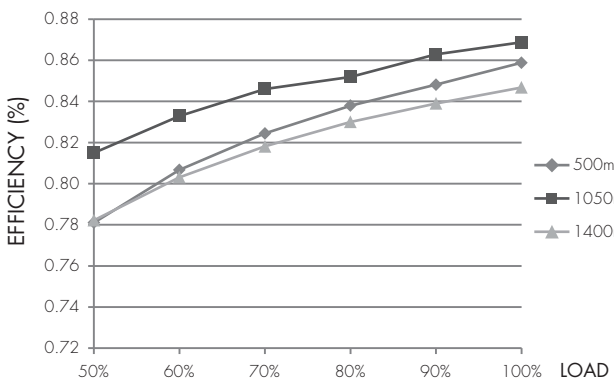


* Typical Power Factor vs Load

HED7030/BF



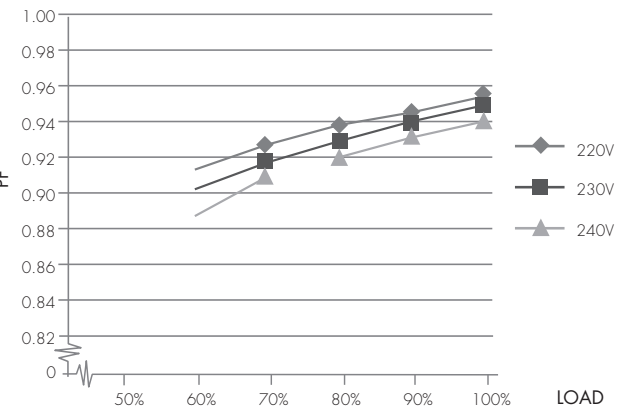
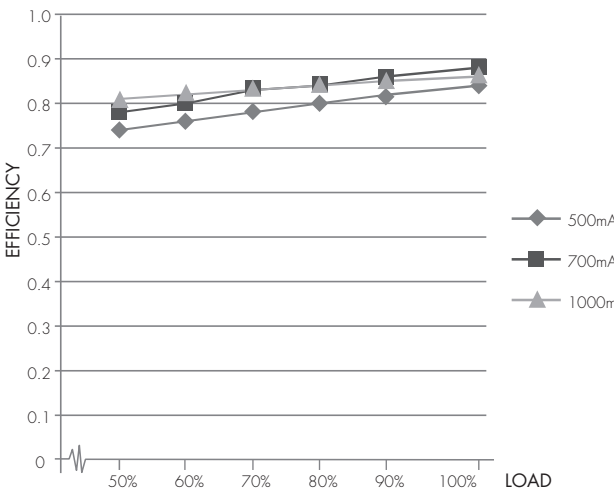
HED1045



* Typical Efficiency vs Load

* Typical Power Factor vs Load

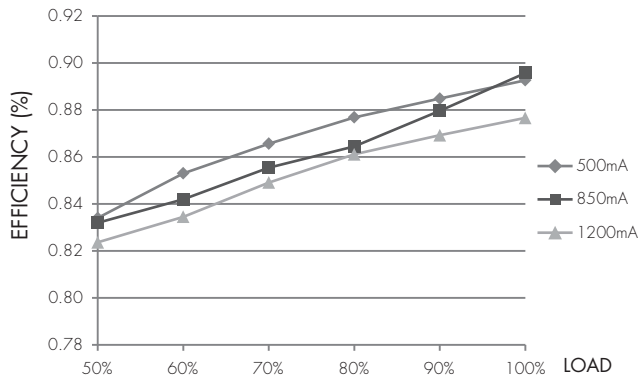
HED8045



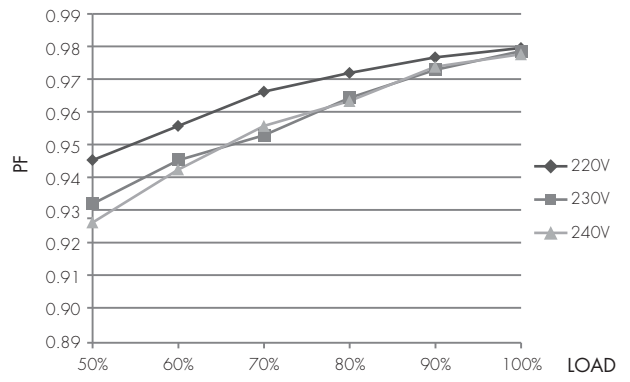
* Typical Efficiency vs Load

* Typical Power Factor vs Load

HED1050H

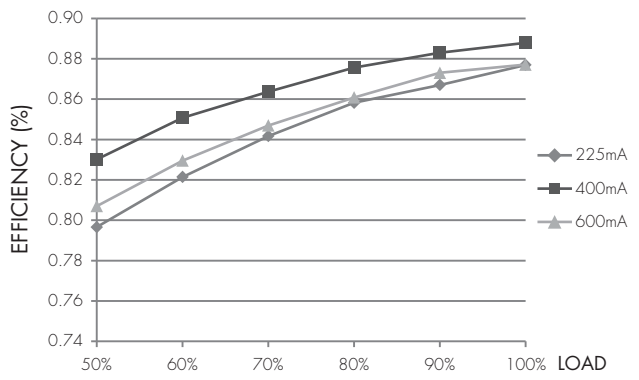


* Typical Efficiency vs Load

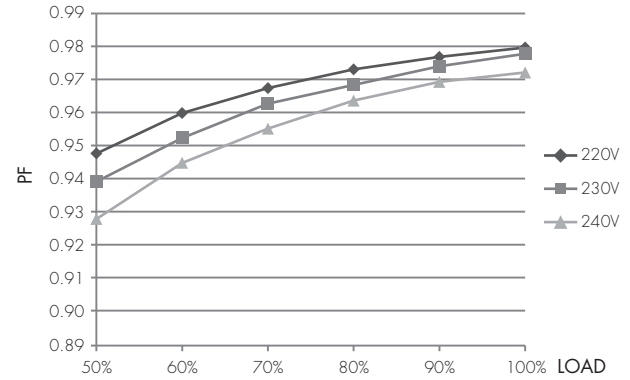


* Typical Power Factor vs Load

HED1050L

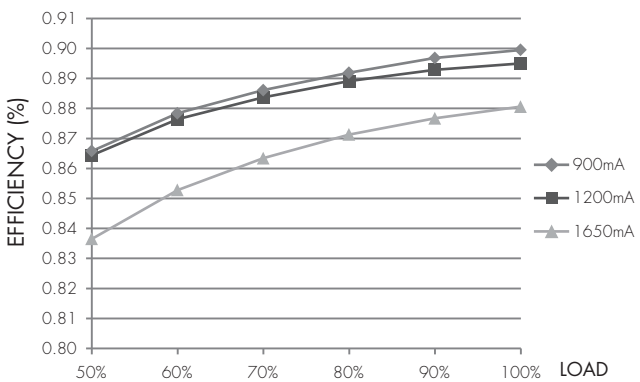


* Typical Efficiency vs Load

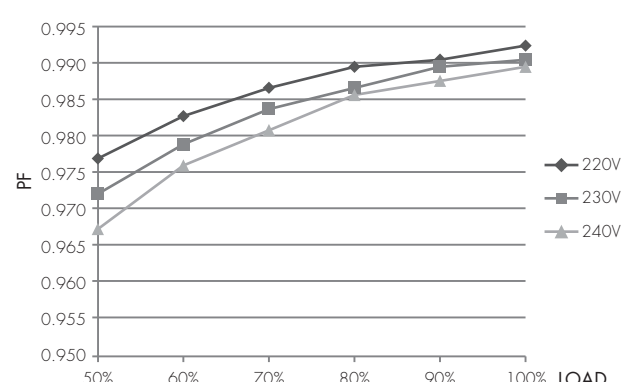


* Typical Power Factor vs Load

HED1080H



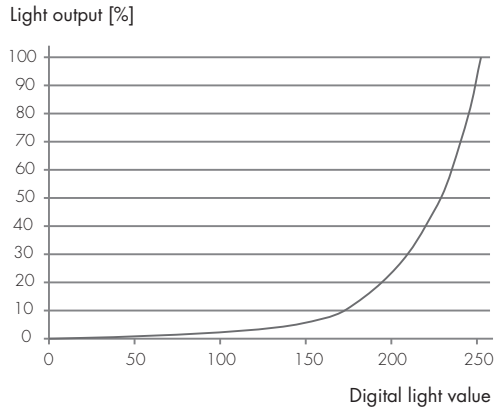
* Typical Efficiency vs Load



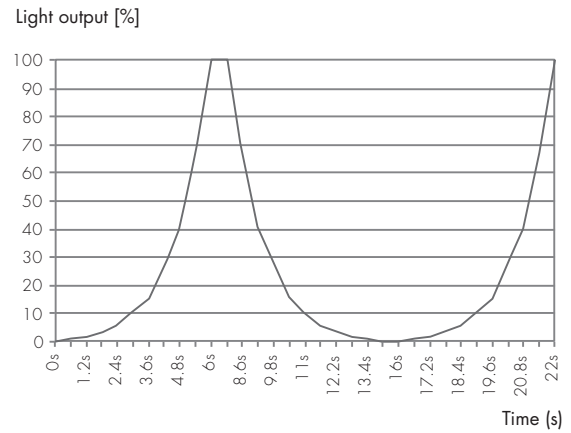
* Typical Power Factor vs Load

Dimming Characteristics

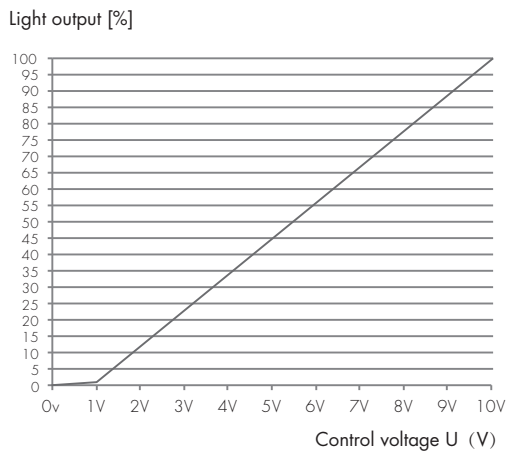
DALI Dimming Curve



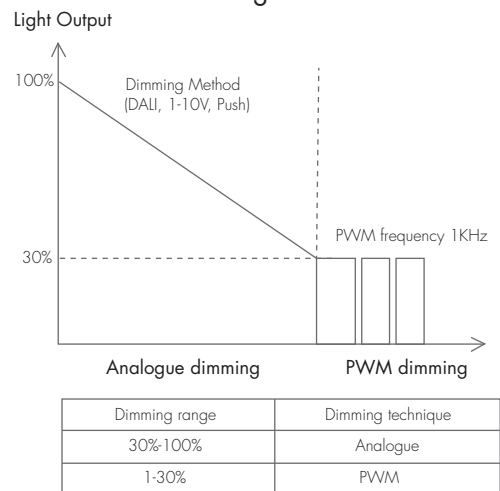
Switch-Dim Dimming Curve



1-10V Dimming Curve




Dimming Profile



Note: An upgrade with extended flicker-free dimming is in development to provide 3-100% analogue dimming.

Technical Specifications for Sensor Heads

Bluetooth Transceiver	
Operation frequency	2.4 GHz - 2.483 GHz
Transmission power	4 dBm
Range (Typical indoor)	10~30m
Protocol	 Bluetooth® 5.0 SIG Mesh

Environment	
Operation temperature	Ta: -20°C ~ +55°C
Storage temperature	-20°C ~ +70°C
Relative humidity	0 ~ 90%
IP rating	IP20

HF Sensor Properties (HBT01)	
Sensor principle	High Frequency (microwave)
Operation frequency	5.8GHz +/- 75MHz
Transmission power	<0.2mW
Detection range *	Max installation height: 3m Max detection range: 8m (diameter)
Detection angle	30° ~ 150°

PIR Sensor Properties (HIR13 & HIR16 & HIR62 & HIR62/R)		
Sensor principle	PIR detection	
Operation voltage	5VDC	
Detection range *	HIR13 Max installation height: 1.5m (forklift) 1.2m (single person) Max detection range: 24m (diameter)	
	HIR16 Max installation height: 1.5m (forklift) 1.2m (single person) Max detection range: 18m * 6m (L * W)	
	HIR62 Max installation height: 3m (single person) Max detection range: 12m (diameter)	
	HIR62/R Max installation height: 8m (single person) Max detection range: 14m (diameter)	
	Detection angle	360°

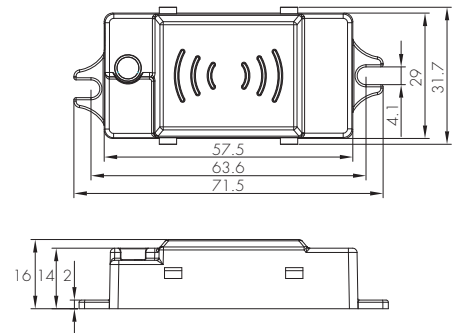
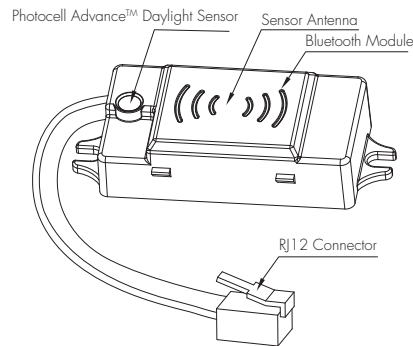
* The detection range is heavily influenced by sensor placement (angle) and different walking paces. It may be reduced under certain conditions.

PIR & microwave sensor heads

The range of PIR and microwave sensor heads below with Bluetooth modules built in offers powerful number of Plug'n'Play feature options to expand the flexibility of luminaires design. This approach to luminaire design reduces space requirements and component costs whilst simplifying production.

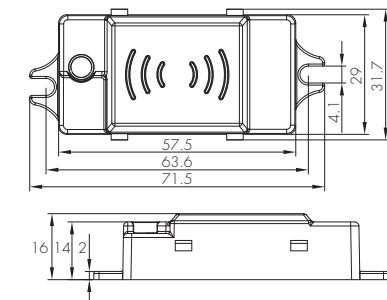
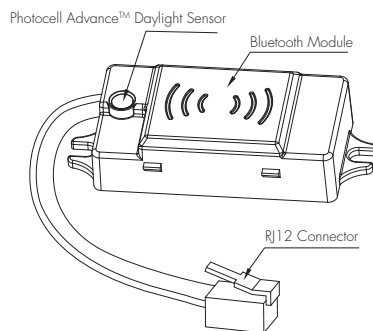
A. HBT01

Surface mounting
Photocell Advance™
The cable length is around 30cm.



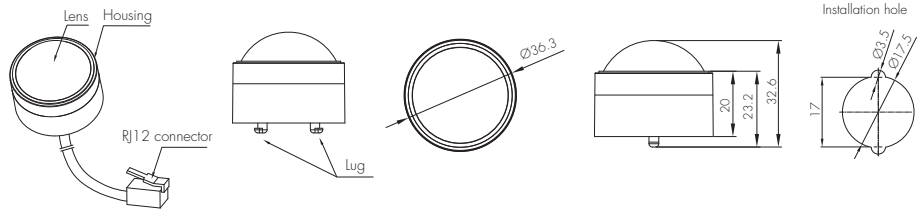
B. HBT02

Surface mounting
Without motion sensor
Photocell Advance™
The cable length is around 30cm.



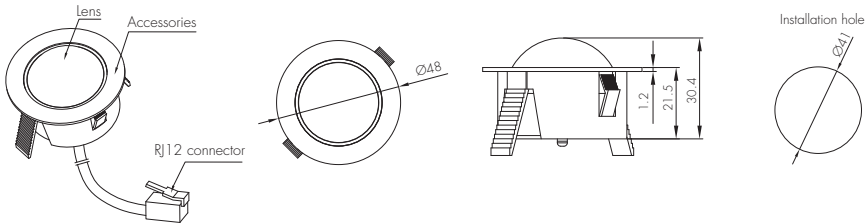
C. HIR13/S

Surface mounting
 For highbay application
 IP65 (facia / lens part)
 The cable length is around 30cm.



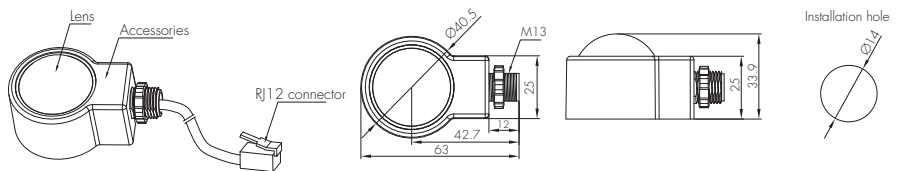
D. HIR13/F

Flush mounting
 For highbay application
 IP65 (facia / lens part)
 The cable length is around 30cm.



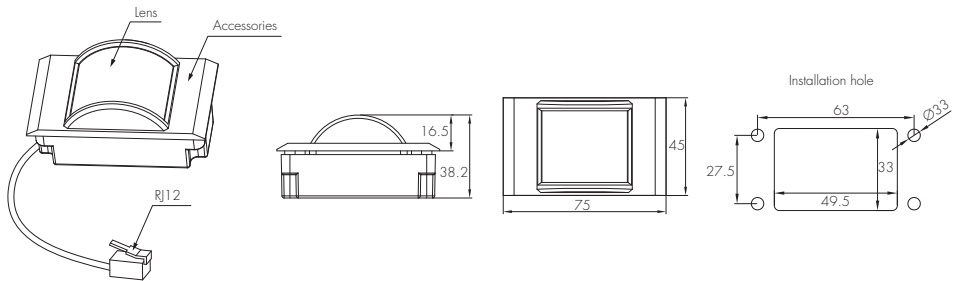
E. HIR13/C

Screw to the luminaire by conduit
 For highbay application
 IP65 (facia / lens part)
 The cable length is around 30cm.



F. HIR16

PIR sensor head
 For highbay application
 IP65 (facia / lens part)
 The cable length is around 30cm.



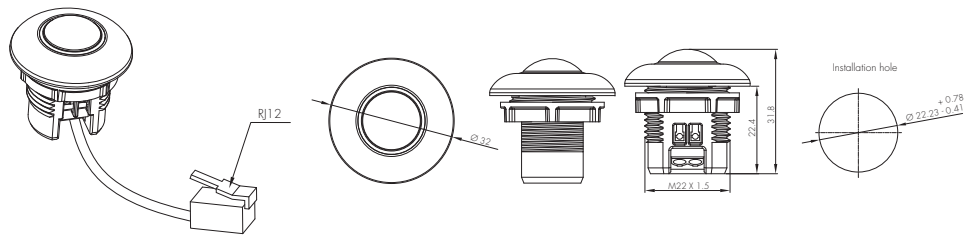
Installation for HIR16

Thickness: 0.8mm – 1.6mm

We suggest that the metal plate thickness to be 0.8mm – 1.6mm to ensure perfect focal length for the PIR lens.

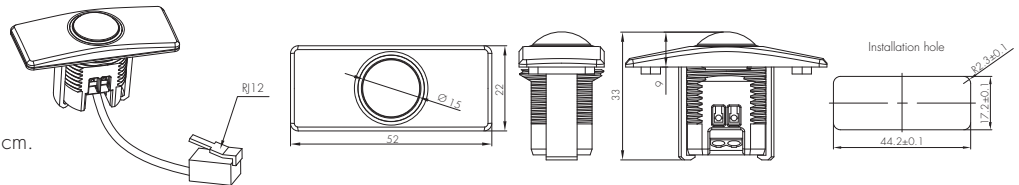
G. HIR62

Zhaga connection
The cable length is around 35cm.



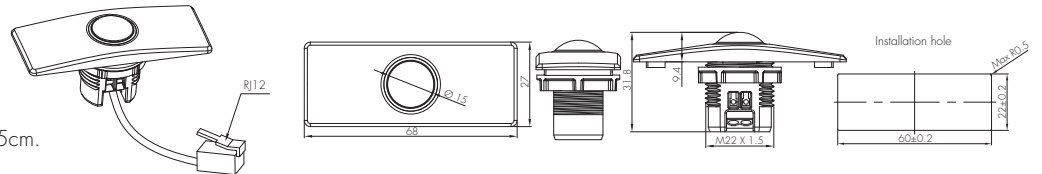
H. HIR62 with HA04

Zhaga connection
Optional accessory
The cable length is around 35cm.



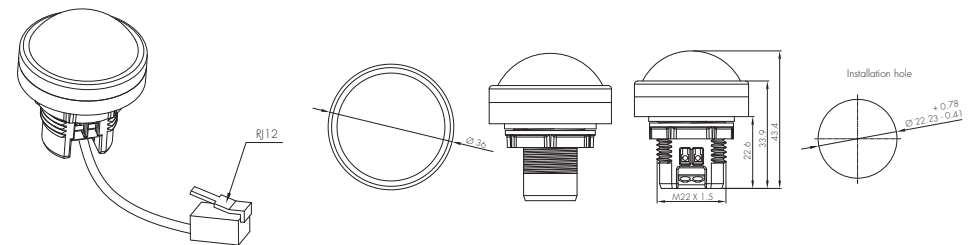
I. HIR62 with HA05

Zhaga connection
Optional accessory
The cable length is around 35cm.



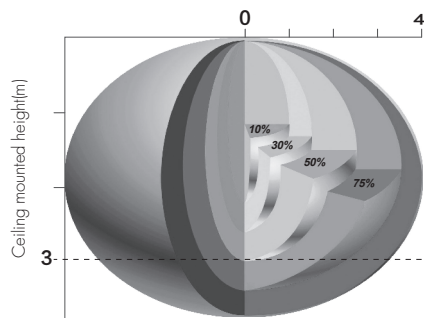
J. HIR62/R

Zhaga connection
The cable length is around 35cm.



Detection Pattern

HBT01



The detection range is heavily influenced by sensor placement (angle) and different walking paces.

It may be reduced to 2m(diameter) & 3m(height) under certain conditions (walking across).

HIR13 (High-bay)



HIR13: High-bay lens detection pattern for forklift @ Ta = 20°C
(Recommended installation height 10m-15m)

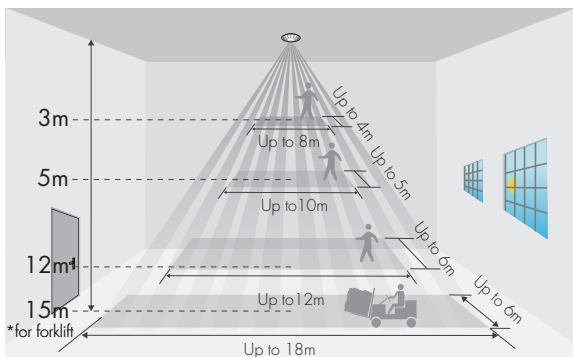
A: Tangential movement	B: Radial movement	Mount height	Tangential (A)	Radial (B)
		10m	max 380m ² (Ø = 22m)	max 201m ² (Ø = 16m)
		11m	max 452m ² (Ø = 24m)	max 201m ² (Ø = 16m)
		12m	max 452m ² (Ø = 24m)	max 201m ² (Ø = 16m)
		13m	max 452m ² (Ø = 24m)	max 177m ² (Ø = 15m)
		14m	max 452m ² (Ø = 24m)	max 133m ² (Ø = 13m)
		15m	max 452m ² (Ø = 24m)	max 113m ² (Ø = 12m)



HIR13: High-bay lens detection pattern for single person @ Ta = 20°C
(Recommended installation height 2.5m-12m)

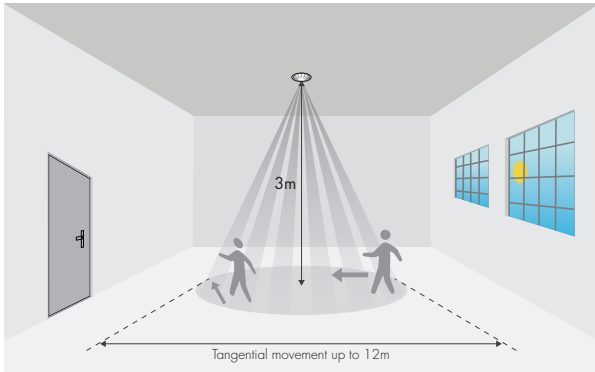
A: Tangential movement	B: Radial movement	Mount height	Tangential (A)	Radial (B)
		2.5m	max 50m ² (Ø = 8m)	max 7m ² (Ø = 3m)
		6m	max 104m ² (Ø = 11.5m)	max 7m ² (Ø = 3m)
		8m	max 154m ² (Ø = 14m)	max 7m ² (Ø = 3m)
		10m	max 227m ² (Ø = 17m)	max 7m ² (Ø = 3m)
		11m	max 269m ² (Ø = 18.5m)	max 7m ² (Ø = 3m)
		12m	max 314m ² (Ø = 20m)	max 7m ² (Ø = 3m)

HIR16

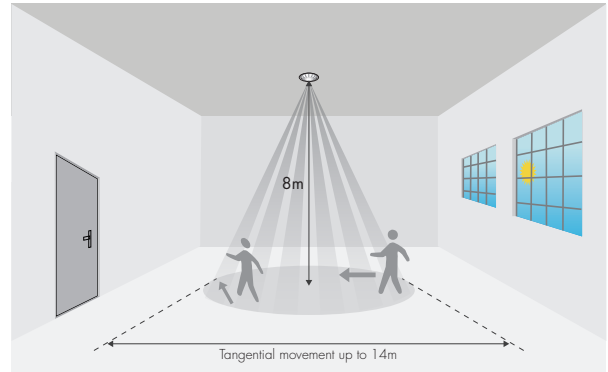


*The detection patterns are based upon 5km/h movement speed.

HIR62



HIR62/R



*The detection patterns are based upon 5km/h movement speed.

Dimming Interface Operation Notes

DALI

This series of products are supplied as 'plug n'play DALI' or 'independent DALI' system ready.

These models are also fully DALI addressable and may be assigned to groups within the limits specified by the DALI protocol or supporting DALI controllers by using a DALI programming tool.

Switch-Dim

The provided Switch-Dim interface allows for a simple dimming method using commercially available non-latching (momentary) wall switches. Up to 64 LED drivers may be connected to one switch.

Switch Action	Response
Short press (<0.4 second)	Toggle light on / off
Note: short press has to be longer than 0.1s, or it will be invalid.	
Long press (>0.4 second)	Toggle dim light / increase brightness

Synchronization

Switch Action	Response
Long press (>15 seconds)	All lights will dim down to minimum then return to 50% brightness

* We recommend the number of drivers connected to a switch does not exceed 25 pieces. The maximum length of the wires from push to driver should be no more than 20 meters.

Additional Information / Documents

1. For full explanation of Hytronik Photocell Advance™ technology, please kindly refer to [www.hytronik.com/download ->knowledge ->Introduction of Photocell Advance](http://www.hytronik.com/download->knowledge->Introduction%20of%20Photocell%20Advance)
2. To learn more about detailed product features/functions, please refer to [www.hytronik.com/download ->knowledge ->Introduction of App Scenes and Product Functions](http://www.hytronik.com/download->knowledge->Introduction%20of%20App%20Scenes%20and%20Product%20Functions)
3. Regarding precautions for Bluetooth product installation and operation, please kindly refer to [www.hytronik.com/download ->knowledge ->Bluetooth Products - Precautions for Product Installation and Operation](http://www.hytronik.com/download->knowledge->Bluetooth%20Products%20-%20Precautions%20for%20Product%20Installation%20and%20Operation)
4. Regarding precautions for microwave sensor installation and operation, please kindly refer to [www.hytronik.com/download ->knowledge ->Microwave Sensors - Precautions for Product Installation and Operation](http://www.hytronik.com/download->knowledge->Microwave%20Sensors%20-%20Precautions%20for%20Product%20Installation%20and%20Operation)
5. Regarding precautions for PIR Sensors installation and operation, please kindly refer to [www.hytronik.com/download ->knowledge ->PIR Sensors - Precautions for Product Installation and Operation](http://www.hytronik.com/download->knowledge->PIR%20Sensors%20-%20Precautions%20for%20Product%20Installation%20and%20Operation)
6. Regarding precautions for LED driver installation and operation, please kindly refer to [www.hytronik.com/download ->knowledge ->LED Drivers - Precautions for Product Installation and Operation](http://www.hytronik.com/download->knowledge->LED%20Drivers%20-%20Precautions%20for%20Product%20Installation%20and%20Operation)
7. Data sheet is subject to change without notice. Please always refer to the most recent release on [www.hytronik.com/products ->bluetooth technology ->Bluetooth Drivers](http://www.hytronik.com/products->bluetooth%20technology->Bluetooth%20Drivers)
8. Regarding Hytronik standard guarantee policy, please refer to [www.hytronik.com/download ->knowledge ->Hytronik Standard Guarantee Policy](http://www.hytronik.com/download->knowledge->Hytronik%20Standard%20Guarantee%20Policy)