



■ Features

- KNX proof gateway
- Easy configuration & installation
- Cost effective solution for smart building
- Connect up to 64 DALI ECGs/Drivers
- Built-in DALI power supply
- LCD 2x12 display
- Lighting control via the button
- Lighting control via the integrated web server
- Up to 16 DALI lighting groups setting
- Up to 16 DALI scenes setting
- 3 year warranty

■ Description

KDA-64 is used to connect a digital DALI lighting system to the KNX installation. Thus, room-based lighting control is conveniently incorporated into the higher-level KNX building management system.

The device transforms switch and dim commands from the connected KNX system into DALI telegrams and status information from the DALI bus into KNX telegrams.

KDA-64 is a Category 1 device (in accordance with EN 62386-103). This means the device must only be used in DALI segments with connected ECGs and not with other DALI control devices within the segment (No multi-master function).

Power supply for the up to 64 connected ECGs comes directly from the KDA-64. An additional DALI power supply is not required and not permitted.

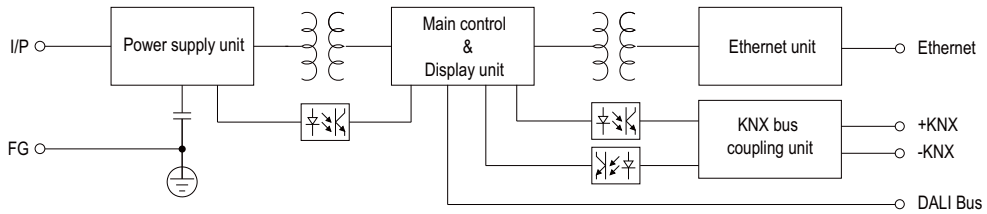
The device comes in a 4 units wide DIN Rail casing so it can be directly integrated into the mains distribution box. Connection to the KNX bus is via a bus connector. DALI Bus is connected via screw connectors on the device.

ECGs can be switched, dimmed and set to a defined value in 16 groups per gateway. In addition to group control, KDA-64 offers the possibility to individually control up to 64 ECGs.

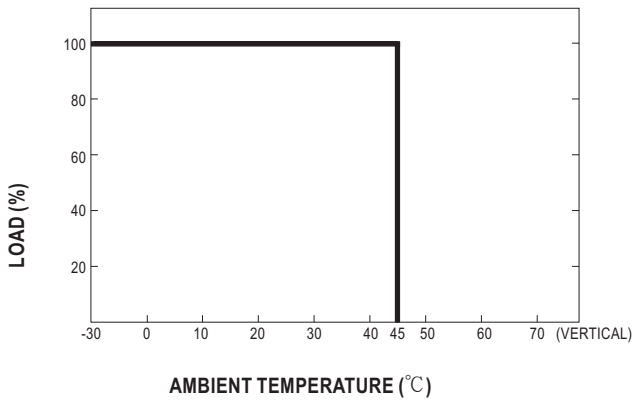
SPECIFICATION

MODEL		KDA-64
COMMUNICATION SIGNAL	KNX BUS	Standard KNX connector
	DALI BUS VOLTAGE	Built-in DALI Voltage 16-20VDC ; Screw terminal for solid or stranded copper conductors 1-2.5m ²
	DALI BUS RATED CURRENT	250mA
	ETHERNET	100MB/s via RJ45 connector
INPUT	VOLTAGE RANGE	100~240VAC, 142~339VDC
	FREQUENCY RANGE	50~60Hz
	AC CURRENT	0.1A
	POWER CONSUMPTION	7W(Typ.)
	TERMINAL	Screw terminal for solid or stranded copper conductors 1-2.5m ²
PROTECTION	OVERLOAD	100% at DALI rated current
		Protection type: Constant current limiting
FUNCTION	DISPLAY	LCD-Display of 2 lines with 12 characters each for commission the device and parameter settings
	KNX PROGRAMMING	One physical button to toggle between normal and programming/addressing mode
	GENERIC SETTING	Three buttons(Move, Prg/Set, ESC) on the front panel to set and view the settings
ENVIRONMENT	WORKING TEMP.	-5 ~ +45°C
	WORKING HUMIDITY	5 ~ 93% RH non-condensing; comply with climatic EN50090-2-2
	STORAGE TEMP., HUMIDITY	-25 ~ +70°C, 10 ~ 95% RH non-condensing
	VIBRATION	5 ~ 150Hz, each along X, Y, Z axes according to EN50090-2-2
	OVER VOLTAGE CATEGORY	III
	POLLUTION DEGREE	2, EN60664-1
	PROTECTION TYPE	IP20, EN60529
SAFETY & EMC	SAFETY STANDARDS	EAC TP TC 004 approved; Compliance to EN60669-2-1, EN50428, EN50090-2-2
	DALI STANDARDS	Comply with IEC60926, EN62386-103 DALI controller
	EMC EMISSION	Compliance to EN50491-5-1, EN60669-2-1, EN50428, EN50090-2-2, EN61000-3-3, EAC TP TC 020
	EMC IMMUNITY	Compliance to EN61000-4-2,3,4,5,6,11, EAC TP TC 020
OTHERS	DIMENSION	86*72*55mm (L*W*H)-Weight 0.2Kg
	DIN RAIL MOUNTING	35 mm rail ; 4 units wide
	ENCLOSURE MATERIAL	ABS-V0
NOTE	1. All parameters NOT specially mentioned are measured at 230VAC input and 25°C of ambient temperature. 2. Maximum allowable DALI driver is 64. 3. The devices may be operated only up to 2000m(6500ft).	

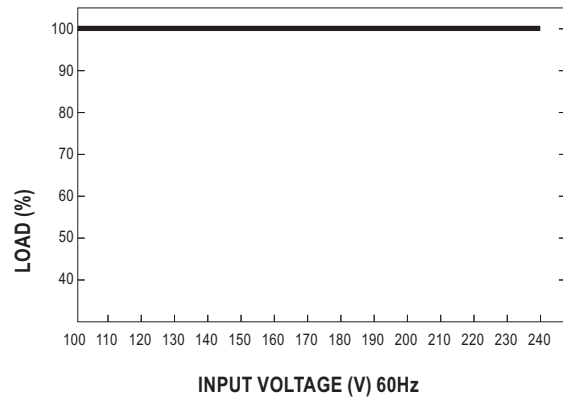
Block Diagram



Derating Curve



Static Characteristics



Mechanical Specification

Case No. Unit:mm

- A1: RJ-45 plug for Ethernet connection
- A2: KNX bus connector
- A3: Power supply connector
- A4: DALI output connector
- A5: Programming LED for normal/addressing mode
- A6: Programming button normal/addressing mode
- A7: MOVE button
- A8: Prg/Set button
- A9: ESC button
- A10: ERR-LED red: Signals fault status
- A11: LINK-LED yellow: Signals device Ethernet readiness
- A12: Display 2x12 characters for DALI configuration

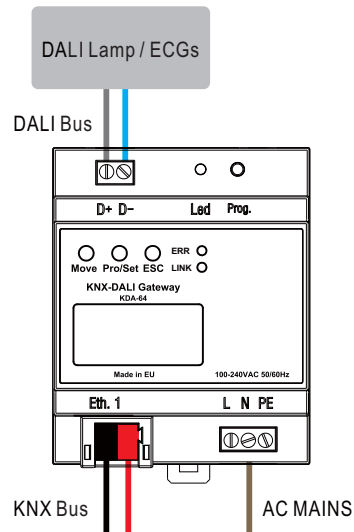
ADMISSIBLE DIN-RAIL: TS35/7.5 OR TS35/15

■ Configuration and Commissioning

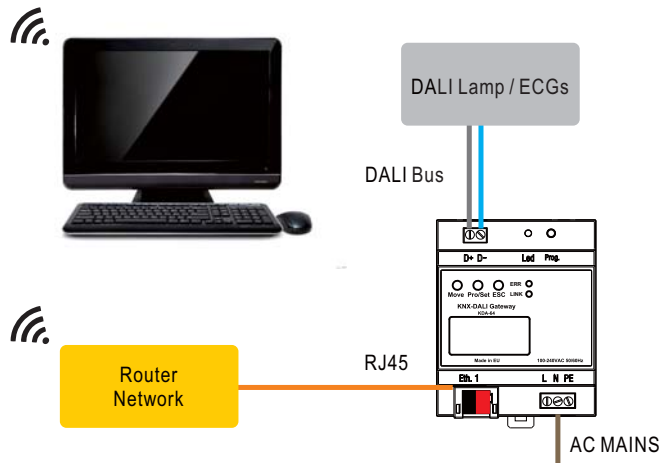
The application program (data base) for ETS can be downloaded via <http://www.meanwell.com/productCatalog.aspx>

■ Typical application

◎ **Application 1: KNX DALI lighting control**



◎ **Application 2: Wire or wireless ethernet (Web browser) lighting control**



■ Recommended Screwdriver, Wire and Torque Setting

1. Screwdriver (Width*Thick): Slotted screwdriver 2.5*0.4~3.5*0.6
2. Wire: 1~2.5mm² solid core or 1~2.5mm² finely stranded
3. Torque: 0.8Nm

■ Installation Manual

Please refer to : <http://www.meanwell.com/manual.html>