

# POWER SOURCE



**5 YEAR  
WARRANTY**

**10W**  
**0/1-10V**  
**Dimmable**  
**Constant**  
**Current**  
**LED Driver**  
**With Selectable**  
**Output**

## Features of the: ADC-10



0/1-10V  
Dimmable



Output Current  
Selectable By  
DIP switch



AC Input Range:  
100-277VAC  
with PFC



IP20 Design  
For Indoor  
Installation



Class II  
Power Supply



Easy  
Installation



Protections:  
Short Circuit,  
Overload, Over  
Temperature



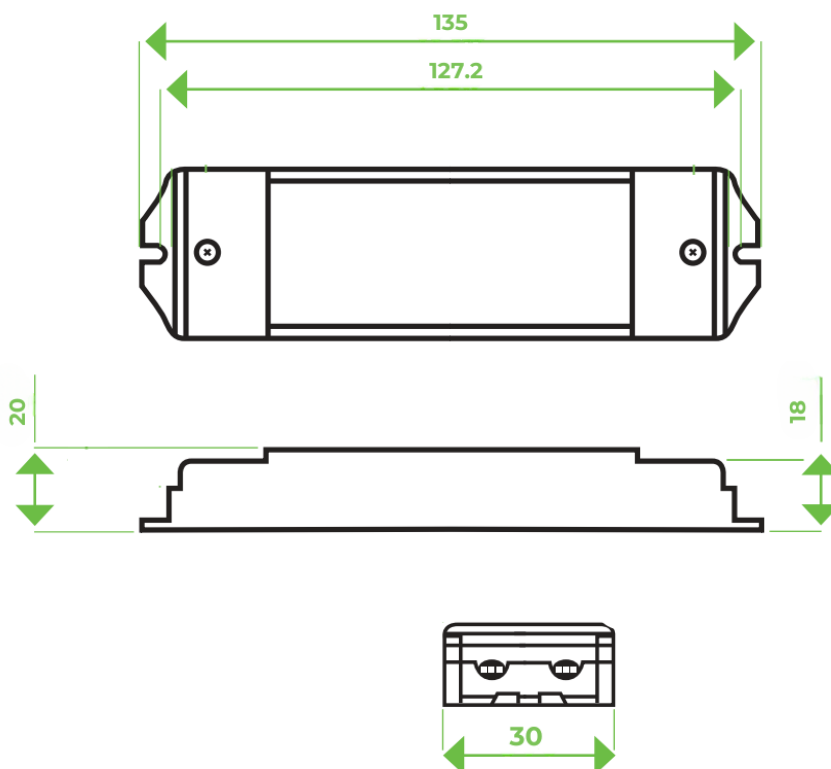
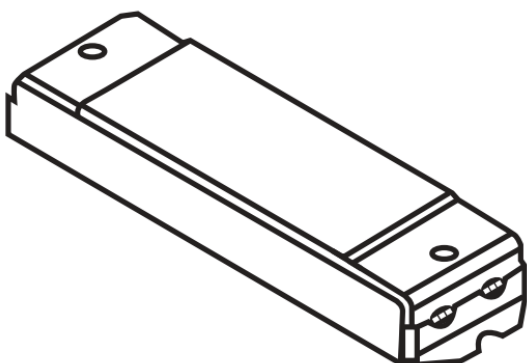
Australian  
Approvals

CE    IP20 SELV

Model		ADC-10							
Output	Rated Current (mA)	100mA	150mA	200mA	250mA	300mA	350mA	400mA	450mA
	⚡ ON ⚡ OFF	⚡⚡⚡	⚡⚡⚡	⚡⚡⚡	⚡⚡⚡	⚡⚡⚡	⚡⚡⚡	⚡⚡⚡	⚡⚡⚡
	Current Tolerance	±25mA							
	DC Voltate	3-42V	3-42V	3-42V	3-40V	3-33V	3-29V	3-25V	3-22V
	Rated Power	4.2W	6.3W	8.4W	10W	10W	10W	10W	10W
Input	Rated Input Voltage	100-277VAC							
	Rated Frequency	47-63HZ							
	Power Factor	0.99@120VAC	0.88@230VAC	0.80@277VAC					
	Efficiency (Typ.)	78%@120VAC	78%@230VAC	77%@277VAC					
	AC Current (Max.)	0.15A							
	Inrush Current (Typ.)	7.0A, 24uS @ 50%Ipeak at 277VAC							
	Leakage Current	<0.50mA							
Protection	Short Circuit	Constant current mode, recovers automatically after fault condition is removed.							
	Output No-Load Voltage	52V max.							
	Over Temperature	Ambient temp. over 55±10°C, output will be off; recovers automatically after temperature drops							
	Protection Class	II							
Environment	Working TEMP.	-40-+60°C							
	Working Humidity	20-90%RH, non condensing							
	Storage Temp. Humidity	-40 - +80°C, 10-95%RH							
Safety	Safety Standards	EN61347-1 EN61347-2-13							
	Withstand Voltage	I/P-O/P:3.75KVAC							
	Isolation Resistance	I/P-O/P:100MQ/500VDC/25°C/70%RH							
Others	Weight	0.1kg							
	Size	135*30*20mm (L*W*H)							
	Packing	340*200*135mm (50PCS/CTN ) for outer carton							
Notes	1. All parameters NOT specially mentioned are measured at 277VAC input, rated load and 25°C of ambient temperature. 2. Tolerance: includes set up tolerance, line regulation and load regulation. 3. Specifications are subject to change without prior notice. Contact your supplier to confirm any critical parameters.								

## Mechanical Specification

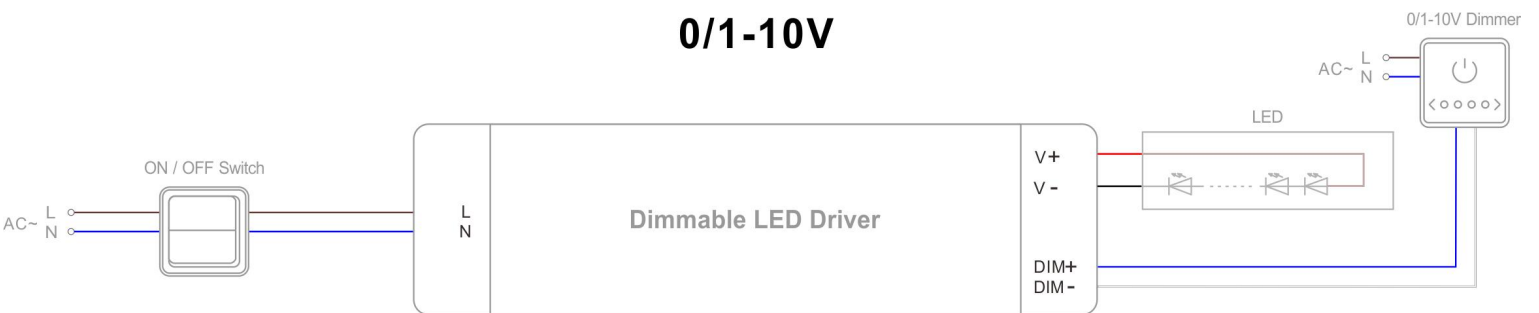
- Input 3 pole terminal block: Active AC (L), Neutral AC (N).
- Output 2 pole terminal block: Positive (LED+), Negative (LED-).
- 0/1-10V. Terminals 2P.
- Suggested wire diameter: Input 0.75-2mm<sup>2</sup>; Output: 0.5-2mm<sup>2</sup>.
- Ensure that all wiring is correct before testing in order to avoid damage to the LED driver or the LEDs.



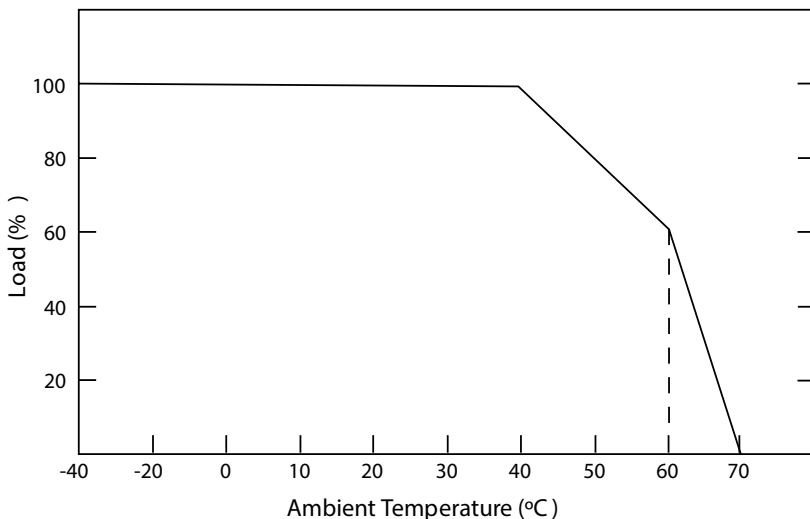
## Dimming Operation and Connecting Diagram

1. Adjust the LED driver output to the desired constant current by using the dip switch.
2. Connect the 0/1-10V dimmer pot – for example the Power Source D1-10.
3. Connect a light fitting and test operation before connecting any further fittings.

### 0-10/1-10V



## De-rating Curve and Instructions



To extend their life, please refer to the De-rating Curve and de-rate according to the temperature.

- If being used in higher ambient temperatures, ensure the load on the LED driver is de-rated in accordance with this chart. Failure to do so could lead to a premature failure, which is not covered by the warranty.

## Instruction:

- 1) This driver should be installed by qualified and professional person;
- 2) Please make sure the driver is installed with adequate ventilation around it to allow for heat dissipation.
- 3) Ensure that wiring is correct before test in order to avoid LED and power supply damage.

Any other question please feel free to contact ADM Systems Pty Ltd.