



SUNRICHER



2 YEAR
WARRANTY

300W
0/1-10V
DALI
Relay Module

Features of the:
SR-2701S-N



0/1 -10
Dimming



On / Off
Control



DALI / DT6 / DT7
Compatible



Capacitive Load:
300W



Resistive Load:
1000W



Inductive Load:
1000W

CE    IP20 SELV

Specification

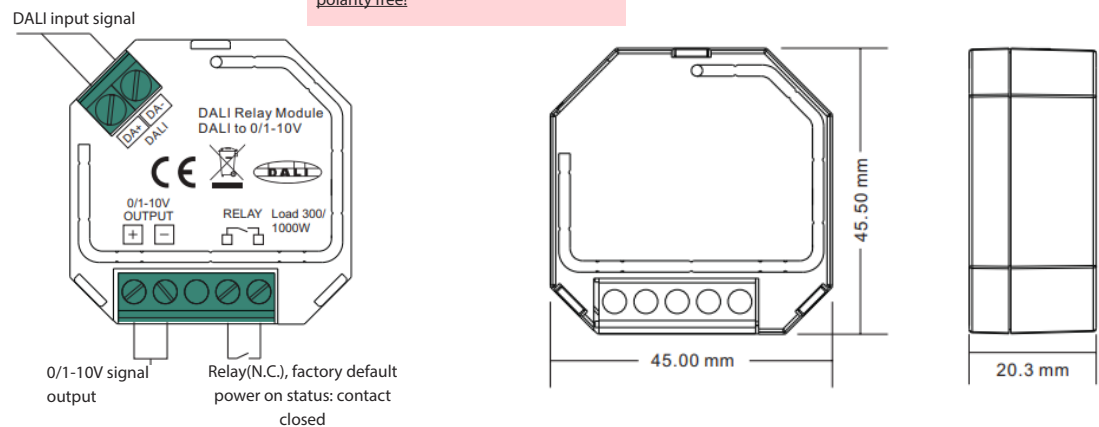
Model		SR-2701S-N		
Output	DC voltage	100-240V		
	DC Voltage	30V		
	Rated current	Resistive Load: 4.3A	Capacitive Load: 1.3A	Inductive Load: 4.3A
	Rated power	Resistive Load: 1000W	Capacitive Load: 300W	Inductive Load: 1000W
	Type of Contact	1 Changeover		
	Current	<10mA		
Input	Voltage range	100-240V		
	DALI control input	1		
	DALI consumption	3mA		
Environment	Working TEMP.	-20 - +50°C		
	Waterproof Grade	IP20		
Others	Net. weight	0.22kg		
	Size	45*45.5*20.3mm (L*W*D)		
Notes	1. Single DALI address per device. 2. DALI address can be assigned by the DALI Master. 3. Do not install with power applied to device. 4. Do not expose the device to moisture. 5. For Built in applications.			

Mechanical Specification

- DALI input: terminal 2 pole terminal block: Positive (DA+), Negative (DA-)
- Output Relay: 2 pole terminal block
- 0/1-10V output: 2 pole terminal block: Positive (+), Negative (-)
- Suggested wire diameter: Input/ Output: 0.5-2.5mm

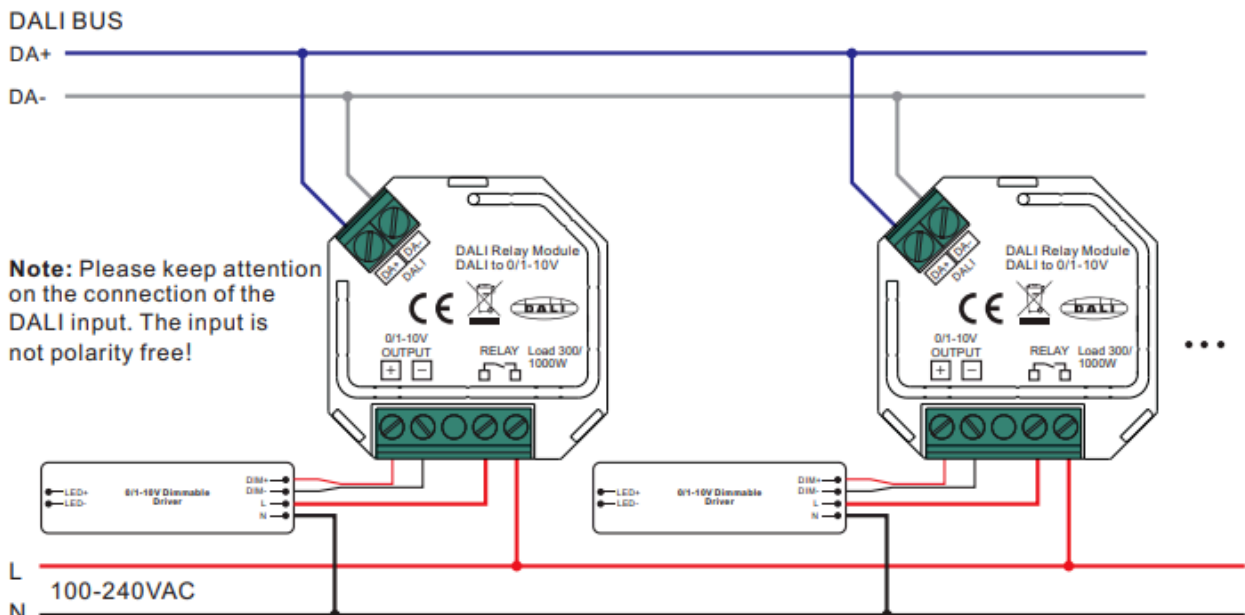
Remark:

Please keep attention on the connection of the DALI-line: The DALI input is not polarity free!



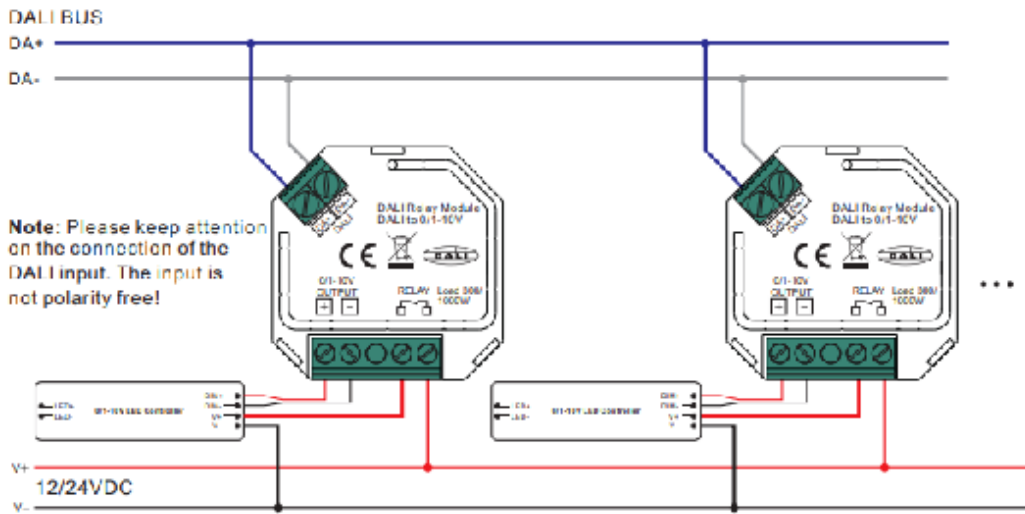
Wiring Diagram

1. Connect both Relay & 0/1/10V outputs, switching from 100-240VAC powered 0-1/10V load.



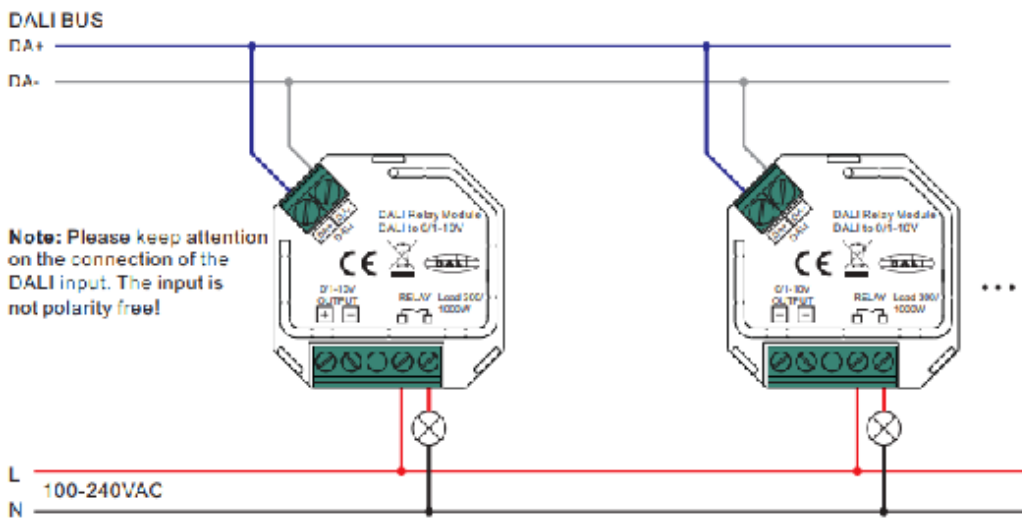
Wiring Diagrams & Instructions

2. Connecting both Relay & 0/1-10V outputs, switching of 12/24VDC powered 0/1-10V load

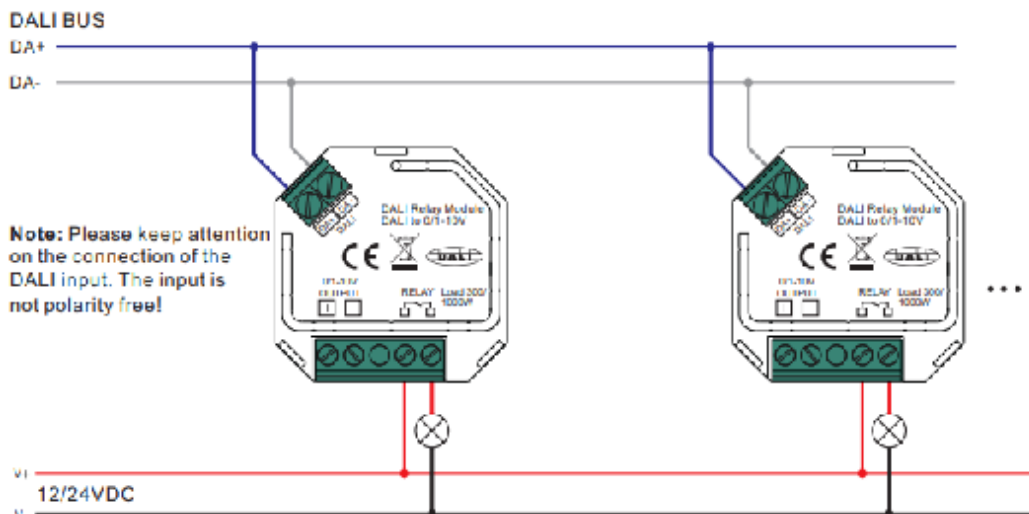


NOTE: The relay can also be connected to the input of the 12/24VDC PSU to switch 100-240V mains power.

3. Connecting only Relay output, switching of 100-240VAC load



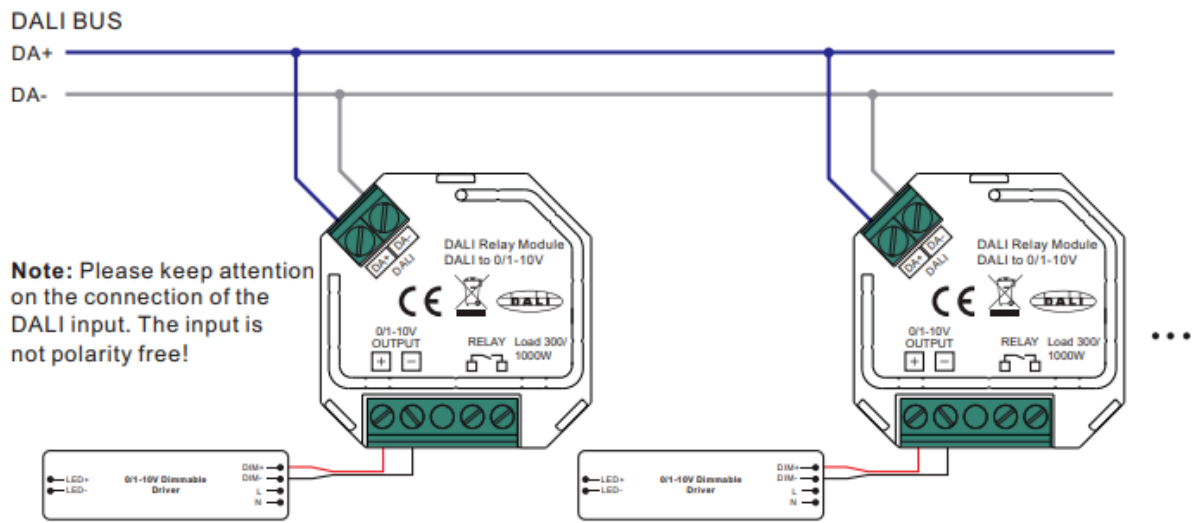
4. Connecting only Relay output, switching of 12/24VDC load



Wiring Diagrams & Instructions

- 1. Connecting both Relay & 0/1-10V outputs, switching of 12/24VDC powered 0/1-10V load
- 2. Connecting both Relay & 0/1-10V outputs, switching of 12/24VDC powered 0/1-10V load
- 3. Connecting only Relay output, switching of 100-240VAC load

5. Connecting only 0/1-10V signal output



Operation

Setting DALI Address:

1 DALI address can be assigned by DALI Master controller automatically, please refer to user manuals to compatible DALI Masters for specific operations.