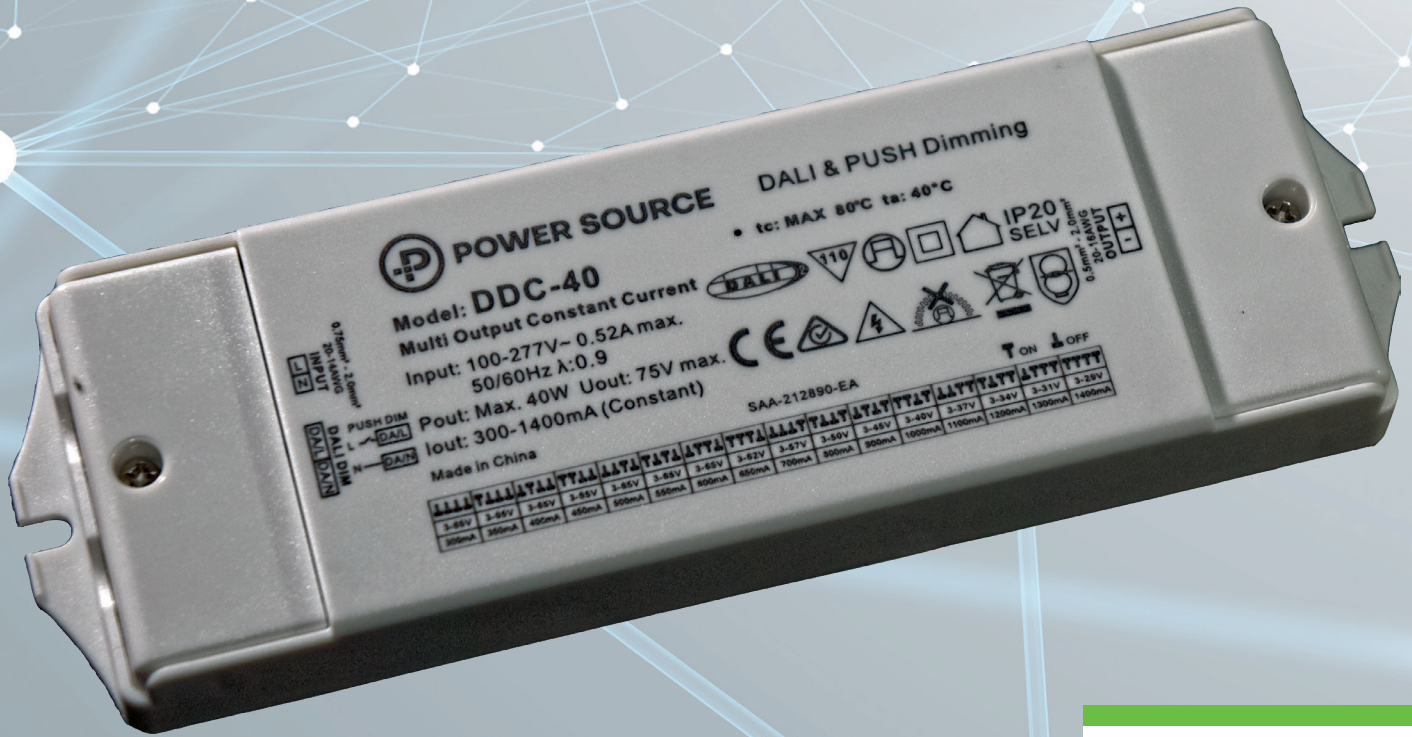


POWER SOURCE



**5 YEAR
WARRANTY**

40W
DALI-2
Dimmable
Constant
Current
LED Driver
With Selectable
Output

Features of the: DDC-40

-  DALI-2 IEC62386 Compatibility
-  AC Input Range: 100-277VAC with PFC
-  Class II Power Supply
-  Protections: Short Circuit, Overload, Over Temperature
-  Output Current Selectable By DIP switch
-  IP20 Design For Indoor Installation
-  Easy Installation
-  Built in PUSH Dimming

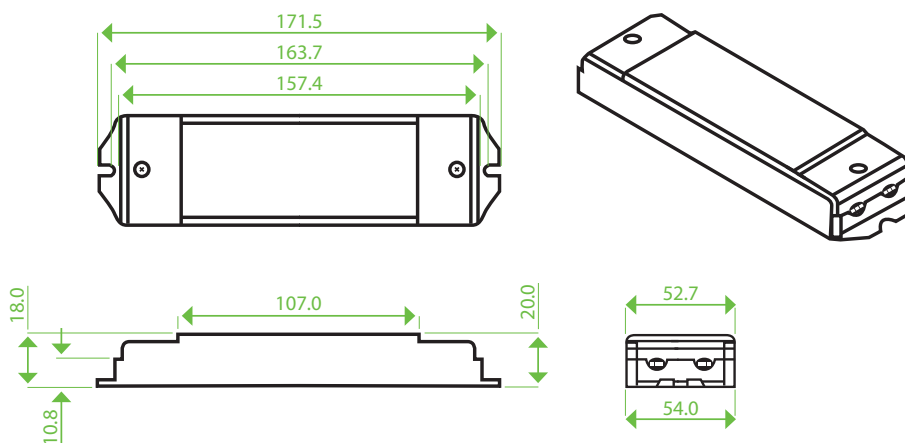


CE   IP20 SELV

Model		DDC-40							
Output	Rated Current (mA) ±25mA	300mA	350mA	400mA	450mA	500mA	550mA	600mA	650mA
	⬆ON ⬇OFF	⬆⬆⬆⬆	⬆⬆⬆⬆	⬆⬆⬆⬆	⬆⬆⬆⬆	⬆⬆⬆⬆	⬆⬆⬆⬆	⬆⬆⬆⬆	⬆⬆⬆⬆
	DC Voltage	3-65V	3-65V	3-65V	3-65V	3-65V	3-65V	3-65V	3-62V
	Rated Power	19.5	22.8	26	29.2	32.5	37.75	39	40
	Rated Current (mA) ±25mA	700mA	800mA	900mA	1000mA	1100mA	1200mA	1300mA	1400mA
	⬆ON ⬇OFF	⬆⬆⬆⬆	⬆⬆⬆⬆	⬆⬆⬆⬆	⬆⬆⬆⬆	⬆⬆⬆⬆	⬆⬆⬆⬆	⬆⬆⬆⬆	⬆⬆⬆⬆
	DC Voltage	3-57V	3-50V	3-45V	3-40V	3-37V	3-34V	3-31V	3-29V
	Rated Power	40	40	40	40	40	40	40	40
Input	Rated Input Voltage	200-240VAC							
	Rated Frequency	47-63HZ							
	Power Factor	Full loading ≥ 0.9@230VAC							
	Efficiency (Typ.)	Full loading ≥ 80%@230VAC							
	AC Current (Max.)	0.29A							
	Inrush Current (Typ.)	12.8A, 5.4uS@50%Ipeak							
	Leakage Current	<0.50mA							
Protection	Short Circuit	Constant current mode, recovers automatically after fault condition is removed.							
	Output No-Load Voltage	52V max.							
	Over Temperature	Ambient temp. over 50±5°C, output current will be reduced to 50%; Ambient temp. over 60±5°C, output will be off; recovers automatically after temp. drops. - measured as case temperature tc=75±5°C							
	Protection Class	II							
	Environment	Working TEMP.	-40-+60°C						
	Working Humidity	20-90%RH, non condensing							
	Storage TEMP. Humidity	-40 - +80°C, 10-95%RH							
	TEMP. coefficient	+0.03%/°C, (0-50°C)							
	Vibration	10-500Hz, 2G 10min./1 cycle, period for 60min. each along X, Y, Z axes.							
Safety	Safety Standards	EN61347-1 EN61347-2-13							
	Withstand Voltage	I/P-O/P:3.75KVAC							
	Isolation Resistance	I/P-O/P:100MΩ/500VDC/25°C/70%RH							
Others	Weight	0.3kg							
	Size	171.5*54*20mm (L*W*H)							
	Packing	320*280*215mm (50PCS/CTN) for outer carton.							
	Notes	<ol style="list-style-type: none"> All parameters NOT specially mentioned are measured at 230VAC input, rated load and 25°C of ambient temperature. Tolerance: includes set up tolerance, line regulation and load regulation. Specifications are subject to change without prior notice. Contact your supplier to confirm any critical parameters. 							

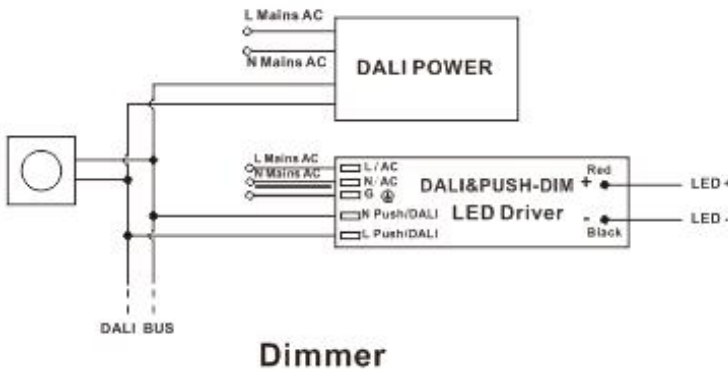
Mechanical Specification

- Input 3 pole terminal block:
Active AC (L), Neutral AC (N).
- Output 2 pole terminal block:
Positive (LED+), Negative (LED-).
- DALI or PUSH Dim. Terminals 2P: when DALI dimming, the lines are not polarised.
- Suggested wire diameter: Input 0.75-2mm²; Output: 0.5-2mm².
- Ensure that all wiring is correct before testing in order to avoid damage to the LED driver or the LEDs.

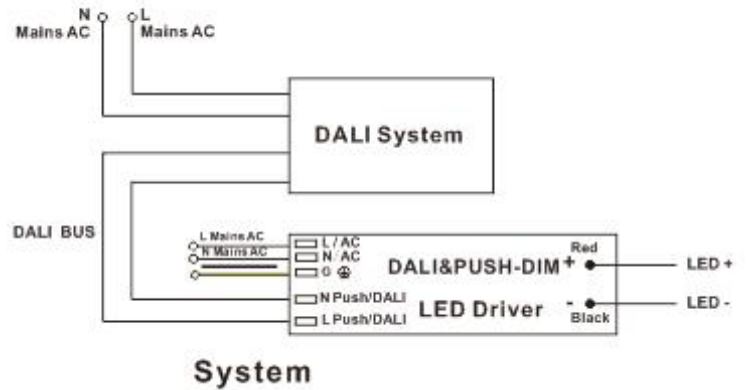


■ Dimming Operation

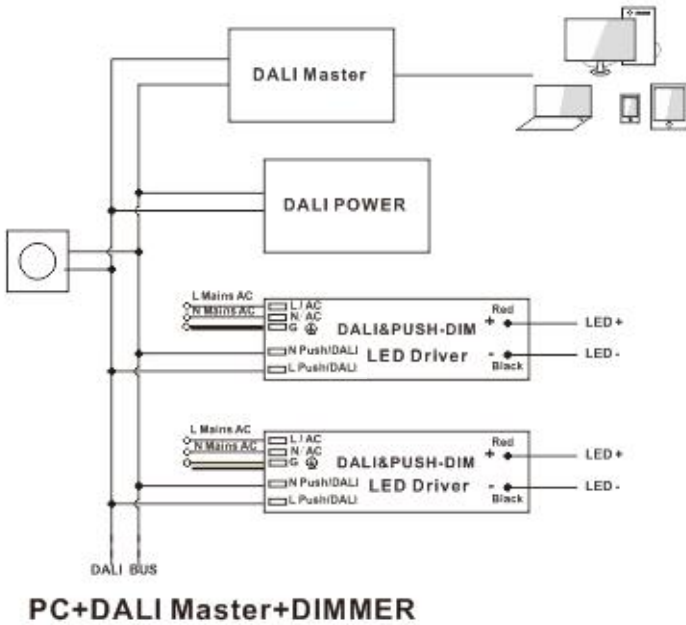
DALI Dimming Wiring Diagram1



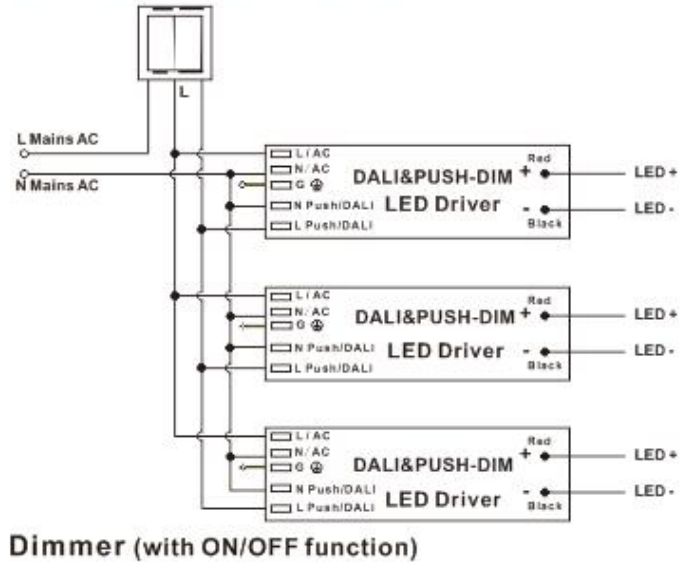
DALI Dimming Wiring Diagram2



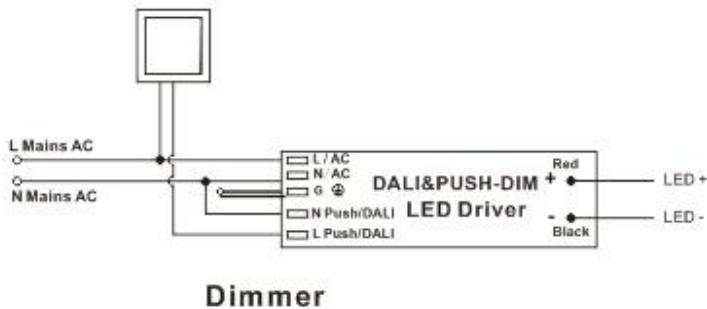
DALI Dimming Wiring Diagram3



Push-Dimming Wiring Diagram1



Push-Dimming Wiring Diagram2



- Note: For DALI Dimming Wiring Diagram 3, only one DALI power is required in the DALI bus, no extra DALI power is needed if the Master or Dimmer already includes the DALI Power.

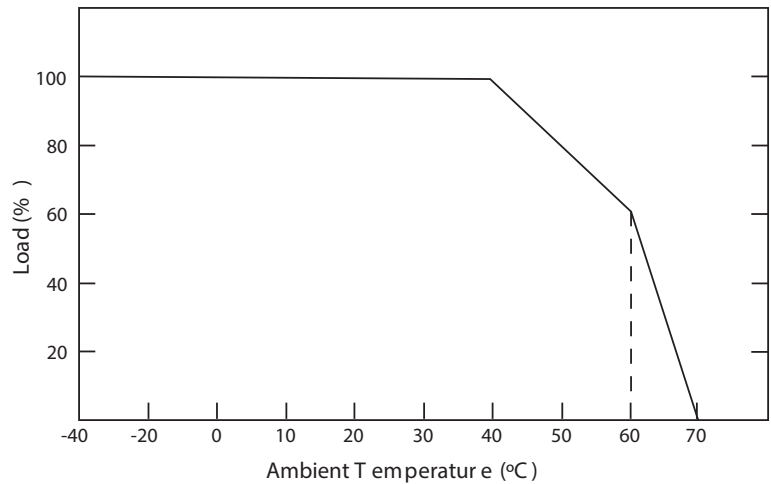
De-rating Curve

- If being used in higher ambient temperatures, ensure the load on the LED driver is de-rated in accordance with this chart. Failure to do so could lead to a premature failure, which is not covered by the warranty.

Instruction:

- 1) This driver should be installed by qualified and professional person;
- 2) Please make sure the driver is installed with adequate ventilation around it to allow for heat dissipation.
- 3) Ensure that wiring is correct before test in order to avoid LED and power supply damage.

Any other question please feel free to contact ADM Systems Pty Ltd.



To extend their life, please refer to the De-rating Curve and de-rate according to the temperature.