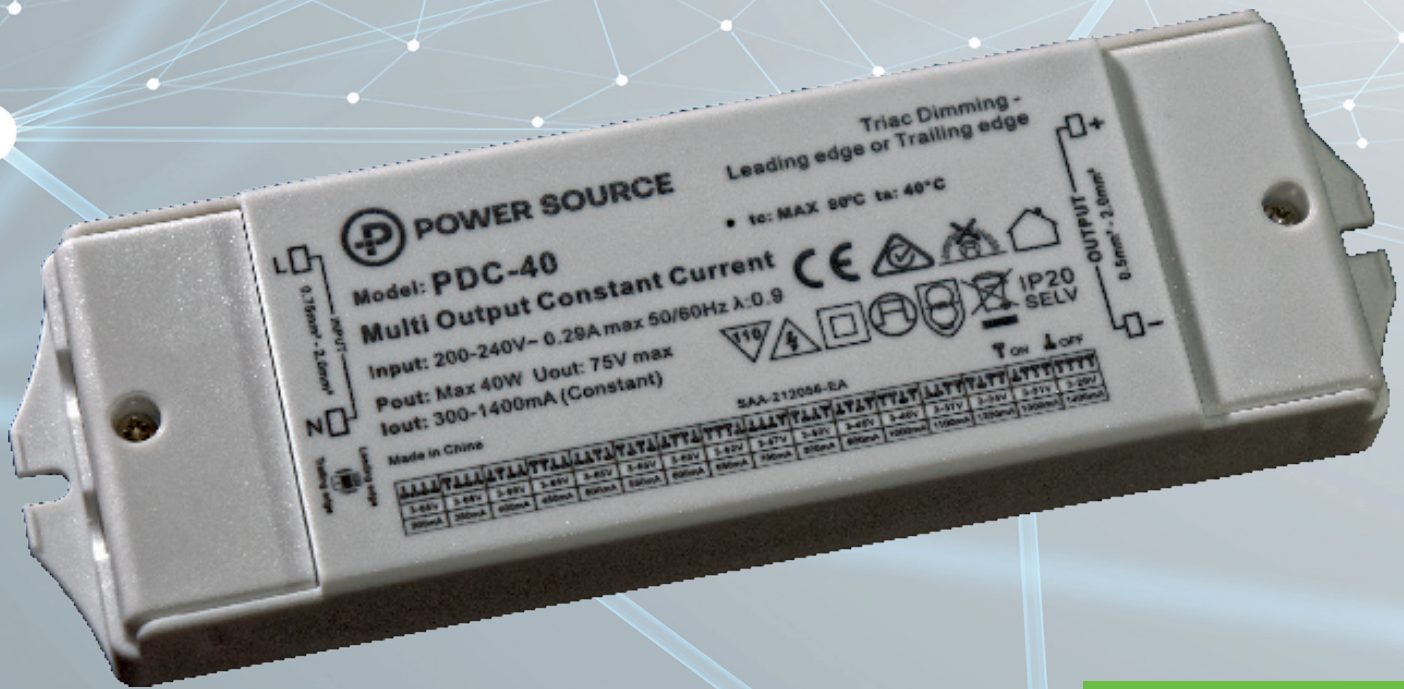


POWER SOURCE



**5 YEAR
WARRANTY**

40W Phase Cut AC Dimmable Constant Current LED Driver With Selectable Output

Features of the: PDC-40

-  High Level Of Dimmer Compatibility
-  Output Current Selectable By DIP switch
-  AC Input Range: 200-240VAC with PFC
-  IP20 Design For Indoor Installation
-  Class II Power Supply
-  Easy Installation
-  Protections: Short Circuit Overload Over Temperature
-  Works With Leading Or Trailing Edge Dimmers

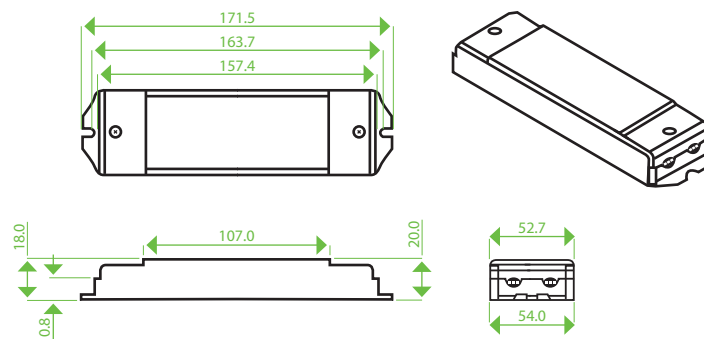


CE    IP20 SELV

Model		PDC-40							
Output	Rated Current (mA) ±25mA	300mA	350mA	400mA	450mA	500mA	550mA	600mA	650mA
	☐ON ☑OFF	☐☐☐☐	☐☐☐☐	☐☐☐☐	☐☐☐☐	☐☐☐☐	☐☐☐☐	☐☐☐☐	☐☐☐☐
	DC Voltage	3-65V	3-65V	3-65V	3-65V	3-65V	3-65V	3-65V	3-62V
	Rated Power	19.5	22.8	26	29.2	32.5	37.75	39	40
	Rated Current (mA) ±25mA	700mA	800mA	900mA	1000mA	1100mA	1200mA	1300mA	1400mA
	☐ON ☑OFF	☐☐☐☐	☐☐☐☐	☐☐☐☐	☐☐☐☐	☐☐☐☐	☐☐☐☐	☐☐☐☐	☐☐☐☐
	DC Voltage	3-57V	3-50V	3-45V	3-40V	3-37V	3-34V	3-31V	3-29V
	Rated Power	40	40	40	40	40	40	40	40
Input	Rated Input Voltage	200-240VAC							
	Rated Frequency	47-63HZ							
	Power Factor	Full loading ≥ 0.9@230VAC							
	Efficiency (Typ.)	Full loading ≥ 80%@230VAC							
	AC Current (Max.)	0.29A							
	Inrush Current (Typ.)	12.8A, 5.4uS@50%Ipeak							
	Leakage Current	<0.50mA							
Protection	Short Circuit	Constant current mode, recovers automatically after fault condition is removed.							
	Output No-Load Voltage	52V max.							
	Over Temperature	Ambient temp. over 50±5°C, output current will be reduced to 50%; Ambient temp. over 60±5°C, output will be off; recovers automatically after temp. drops. - measured as case temperature tc=75±5°C							
	Protection Class	II							
	Environment	Working TEMP.	-40-+60°C						
	Working Humidity	20-90%RH, non condensing							
	Storage TEMP. Humidity	-40 - +80°C, 10-95%RH							
	TEMP. coefficient	+0.03%/°C, (0-50°C)							
	Vibration	10-500Hz, 2G 10min./1 cycle, period for 60min. each along X, Y, Z axes.							
Safety	Safety Standards	EN61347-1 EN61347-2-13							
	Withstand Voltage	I/P-O/P:3.75KVAC							
	Isolation Resistance	I/P-O/P:100MΩ/500VDC/25°C/70%RH							
Others	Weight	0.3kg							
	Size	171.5*54*20mm (L*W*H)							
	Packing	320*280*215mm (50PCS/CTN) for outer carton.							
Notes	<ol style="list-style-type: none"> All parameters NOT specially mentioned are measured at 230VAC input, rated load and 25°C of ambient temperature. Tolerance: includes set up tolerance, line regulation and load regulation. Specifications are subject to change without prior notice. Contact your supplier to confirm any critical parameters. 								

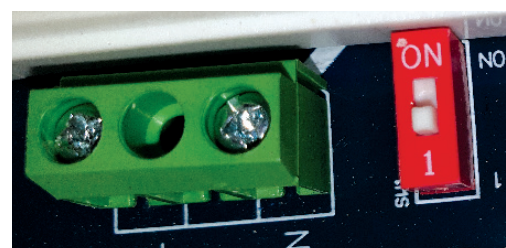
Mechanical Specification

- Input 3 pole terminal block: Active AC (L), Neutral AC(N).
- Output 2 pole terminal block: Positive (LED+), Negative (LED-).
- Suggested wire diameter: Input 0.75-2mm²; Output: 0.5-2mm².
- Ensure that all wiring is correct before testing in order to avoid damage to the LED driver or the LEDs.

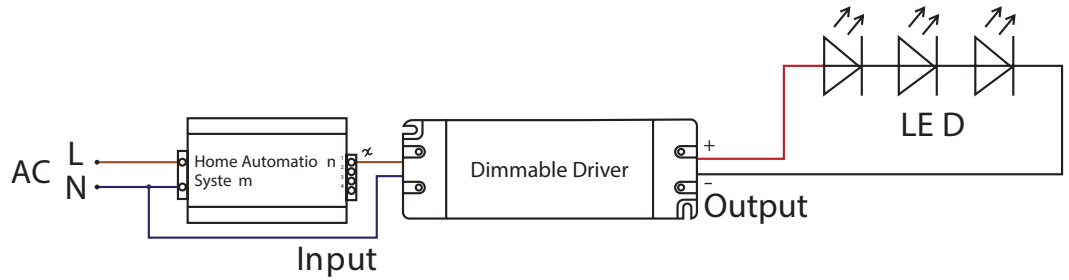
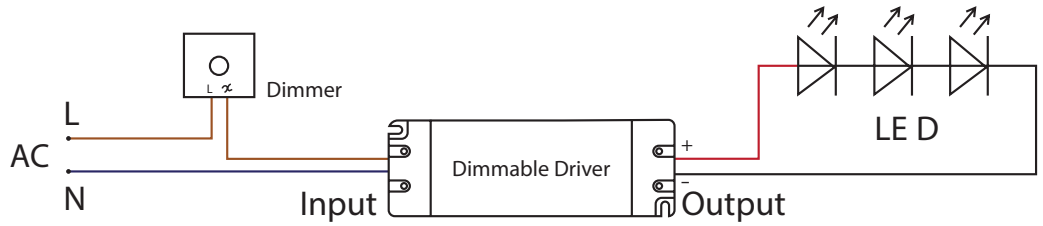


Dimmer Type Selection

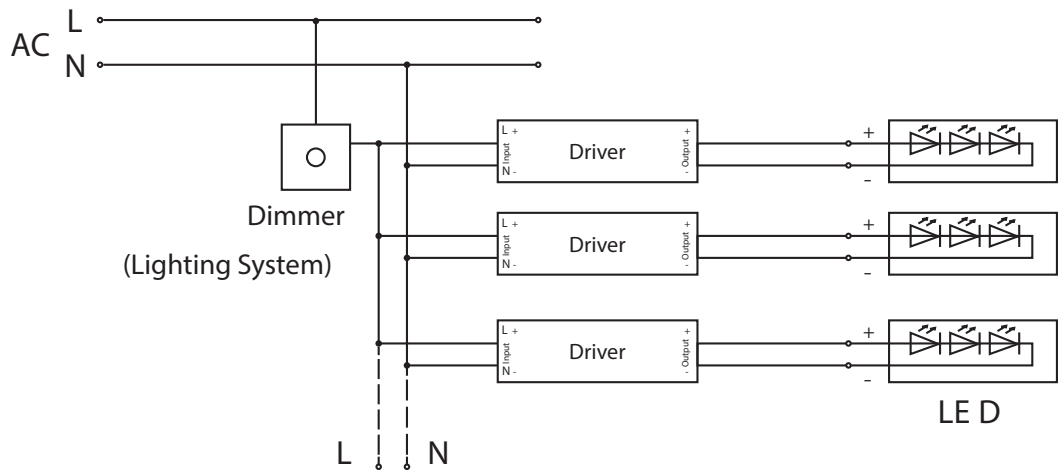
- A leading edge or trailing edge dimmer should be installed on the AC input.
- Select the type of dimmer being used with the DIP switch to the right of the input terminal block. Position 1 for trailing edge, most common in Australia. If flicker is experienced try the ON position.
- It is recommended that you use a dimmer with at least 2x power of the rated output power of the driver.



Wiring Diagram: Single Driver

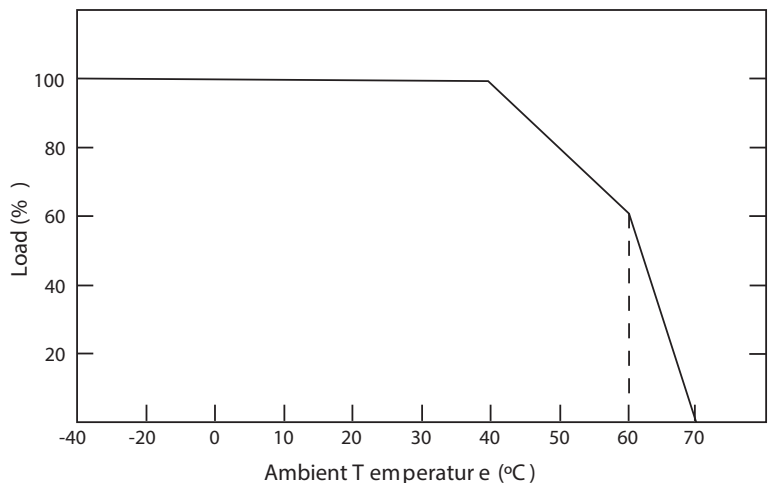


Wiring Diagram: Multiple Drivers



De-rating Curve

• If being used in higher ambient temperatures, ensure the load on the LED driver is de-rated in accordance with this chart. Failure to do so could lead to a premature failure, which is not covered by the warranty.



To extend their life, please refer to the De-rating Curve and de-rate according to the temperature.

Instruction:

- 1) This driver should be installed by qualified and professional person.
- 2) Please make sure the transformer is installed with adequate ventilation around it to allow for heat dissipation.
- 3) Ensure that wiring is correct before test in order to avoid LED and power supply damage.

Any other question please feel free to contact ADM Systems Pty Ltd.