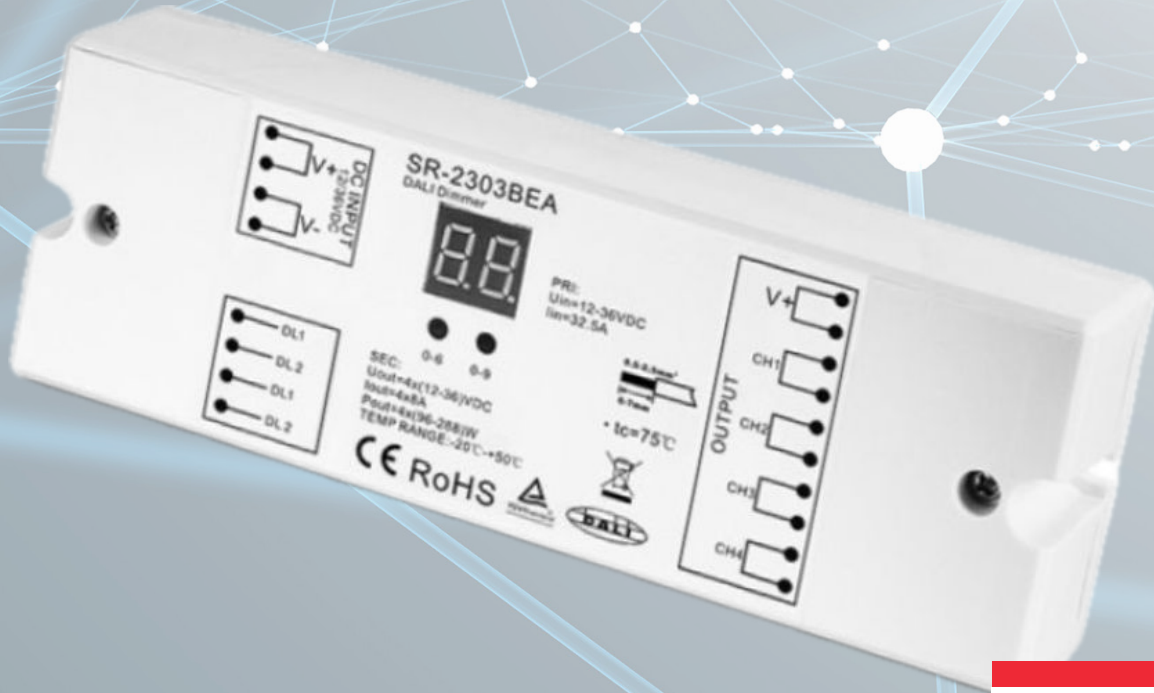




SUNRICHER



**2 YEAR  
WARRANTY**

# Multi colour DT6 Converter with PWM Output

## Features of the: SR-2304BEA



Constant  
Voltage PWM  
Output



DC Input/Output  
Range: 12-36 VDC



PushDimming  
(VAC)



DALI 2  
DT6



Individual Colour  
control:  
• RGBW  
• CCT



Single Control:  
4 Individual DALI  
address

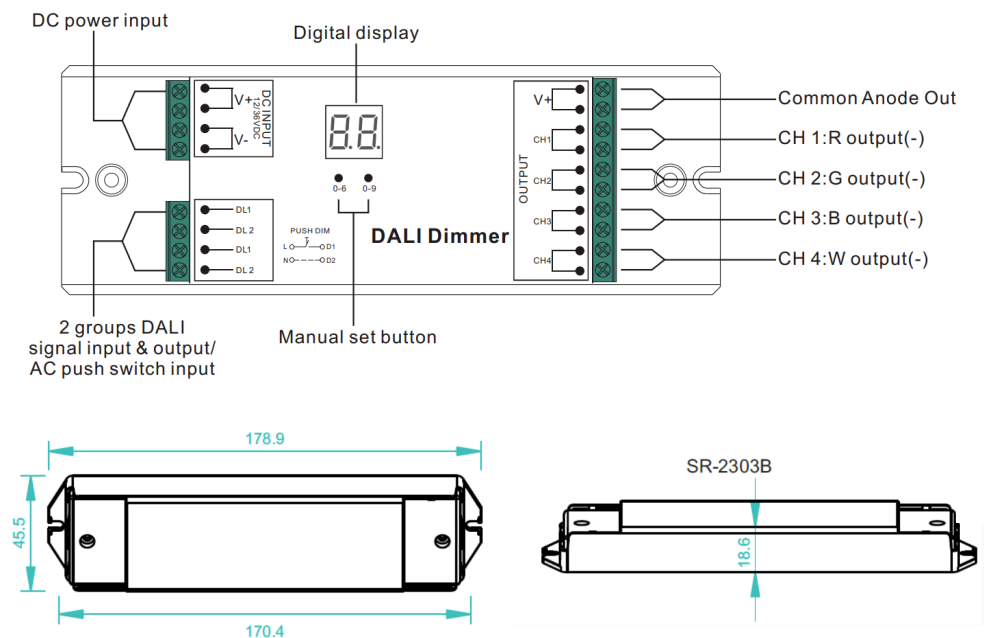
CE   IP20 SELV

# Specification

Model		SR-2304BEA
Output	DC voltage	12-36V PWM (equal to input voltage)
	Rated current	4x8A
	Rated power	4x(96-288)W
Input	Voltage range	12-36VDC
Environment	Working TEMP.	-20 - +50°C
	Waterproof Grade	IP20
Others	Net. weight	0.22kg
	Size	178.9*45.5*18.6mm (L*W*D)
Notes	<ol style="list-style-type: none"> <li>4 Assignable Address by the DALI master.</li> <li>Can be used for RGBW or CCT or Individual single colour strips.</li> <li>DALI address can be assigned either by the Master or from the device itself.</li> <li>Do not install with power applied to device.</li> <li>Do not expose the device to moisture</li> </ol>	

## Mechanical Specification

- Input Low voltage: 4 pole terminal block: Positive (V+), Negative (V-).
- Output LED's: 10 pole terminal block: 2 common Positive (V+), 2x4 common Negative (CH#-).
- DALI: terminals 4P: common DL1 and common DL2.
- Push Dim: Follow wiring diagram below
- Suggested wire diameter: Input/ Output: 0.5-2.5mm



## Instructions

### 1. Set DALI channel grouping:

- 1.1. Press and hold both buttons until the numeric display starts flashing; then, release the buttons.
- 1.2. Use the first button to select the desired DALI channel grouping: "1A" for one channel, "2A" for two channels, "3A" for three channels, or "4A" for four channels.
- 1.3. Press and hold any of the two buttons until the numeric display stops flashing to confirm the chosen channel grouping.

\*Example: When setting the address to 22 - setting grouping to "1A" sets all four channels to the same address (22). Setting grouping to "2A" pairs channels 1 & 3 to address 22, and channels 2 & 4 to address 23. Setting grouping to "3A" assigns addresses 22, 23, 24 to channels 1, 2, 3 respectively, with channel 4 also set to address

### 2. Set DALI address using manual set buttons:

- 2.1. Press and hold any of the two buttons until the numeric display starts flashing; then, release the button.
- 2.2. Click either button to choose a digit. Click again to adjust the digit until the desired DALI address appears. Use the first button for the "tens" position and the second button for the "units" position. The address range is from 00 to 63.
- 2.3. Press and hold any of the two buttons until the numeric display stops flashing to confirm your setting.

**Note:** DALI address can be manually assigned from 00-63 or FF. Factory defaults shows "FF", no DALI address is assigned. Setting DALI address as "FF" will reset the dimmer to factory defaults.

SR-2304BEA

# Wiring Diagrams & Dimming

## 3. DALI address assigned by DALI masters:

3.1. DALI addresses can also be assigned automatically by DALI master controllers. Refer to the user manuals of compatible DALI masters for specific operations. The digital display will show "00" by default and "AU" when the DALI master is re-assigning addresses.

## 4. Push dimming mode:

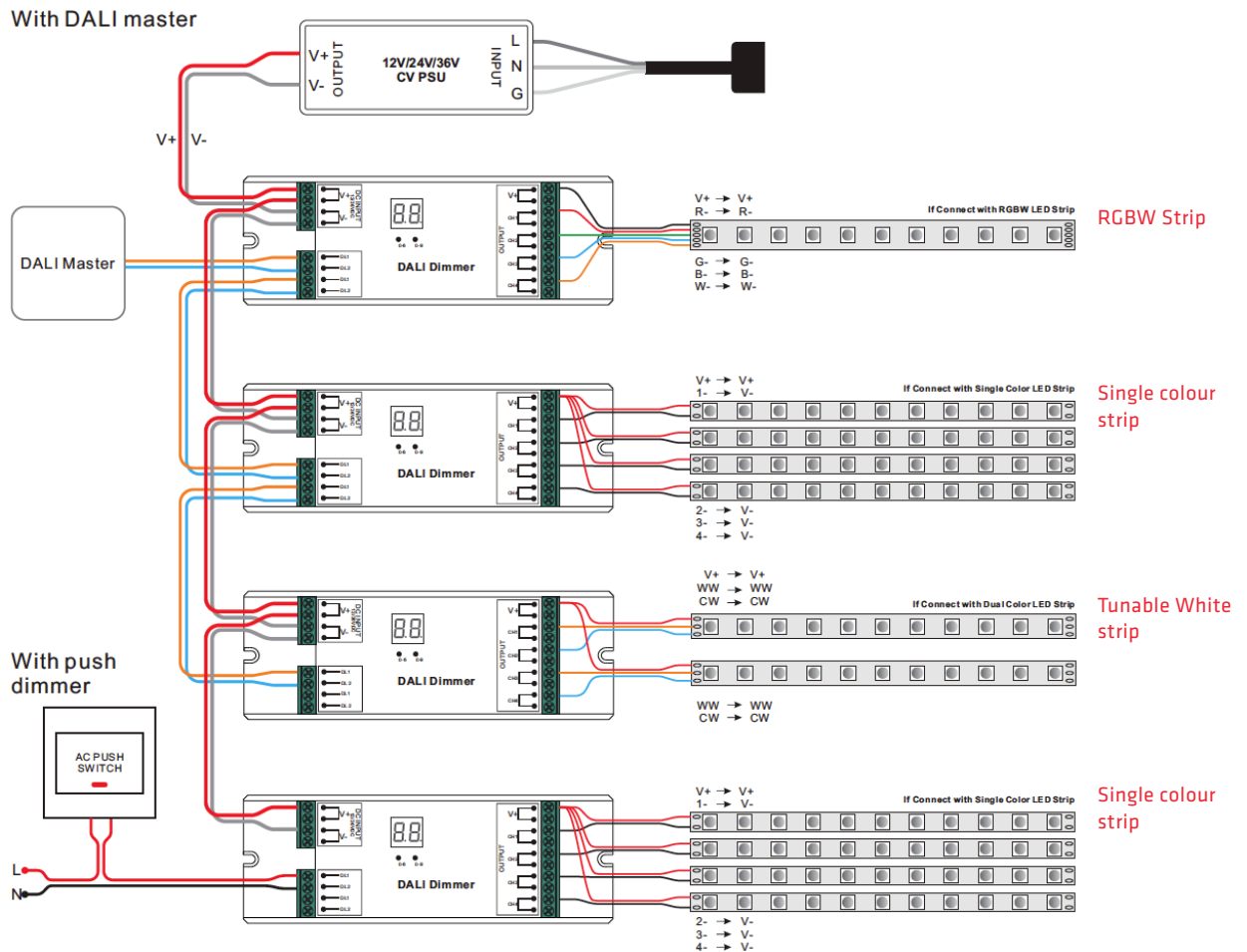
- When connected with an AC push switch, the digital display will show "PD" indicating Push Dimming mode.

4.1. Click the AC switch ON/OFF.

4.2. Press and hold down the button to increase or decrease light intensity. Release it and repeat the operation to adjust light intensity in the opposite direction. The dimming range is from 1% to 100%.

4.3. The memory function retains the status before power off, restoring it when powered on again.

## DALI



## Push Dimming