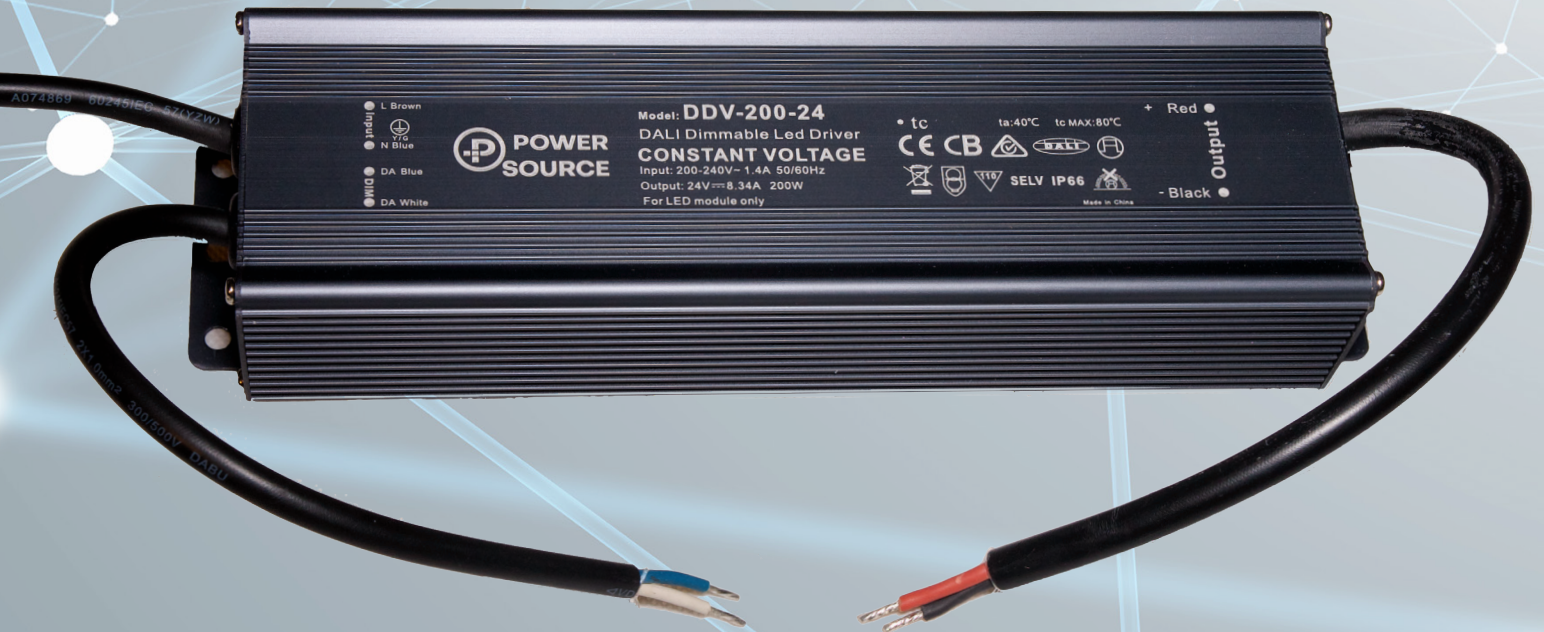







POWER SOURCE



**5 YEAR
WARRANTY**

200W DALI Dimmable LED Driver with PWM Output

Features of the: DDV-200 Series

-  Constant Voltage PWM Output
-  AC Input Range: 200-240VAC
-  Protections:
 - Short Circuit
 - Over Load
 - Over Temperature
-  Class I Power Supply
-  IP66 Design For Outdoor Installation
-  Cooling by Free Air Convection
-  Factory Fitted Flex and Plug
-  DALI Protocol IEC 62386



Australian Approvals

CE    IP66 SELV

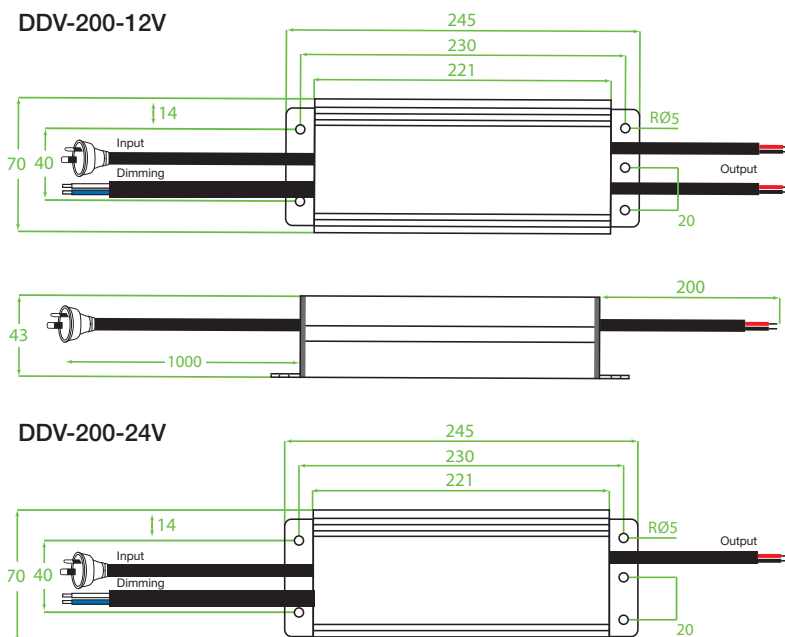
Model		DDV-200-12	DDV-200-24
Output	DC voltage	12V PWM Frequency 4kHz	24V PWM Frequency 4kHz
	Voltage tolerance	±0.5V (see Note 2.)	
	Rated current	16.67A	8.34A
	Rated power	200W	
Input	Voltage range	200-240VAC	
	Frequency range	47~63HZ	
	Power factor	PF≥0.98/230VAC (Full loading)	
	Full load efficiency (Typ.)	87%	88.4%
	AC current (Max.)	1.4A	1.4A
	Leakage current	<0.50mA	
	Inrush current	56A (Twidth 640us measured at 50% I peak, COLD START, 230VAC)	
	MAX. No. of drivers on 16A Circuit breaker	4 units (circuit breaker of type B) / 7 units (circuit breaker of type C) at 230VAC	
Protection	Short circuit	Constant current mode, re-power on to recover after fault condition is removed	
	Over loading (Note 4.)	120% constant current limiting, auto-recovery after fault condition is removed	
	Over temperature	100°C± 10°C	
Environment	Working TEMP.	-40~+60°C (refer to de-rating curve)	
	Working humidity	20~95%RH, non-condensing	
	Storage TEMP., humidity	-40~+80°C, 10~95%RH	
	TEMP. coefficient	±0.03%/°C (0~50°C)	
	Vibration	10-500Hz, 5G 10min./1 cycle, period for 60min, each along X, Y, Z axes	
Safety & EMC	Safety standards	EN61347-1 EN61347-2-13 EN62493 IP66	
	Withstand voltage	I/P-O/P:3.75KVAC I/P-FG:1.88KVAC O/P-FG:0.5KVAC	
	Isolation resistance	I/P-O/P I/P-FG O/P-FG:100MΩ/500VDC/25°C/70%RH	
	EMC emissions (Note 3.)	EN55015, EN61000-3-2, EN61000-3	
	EMC immunity	EN61000-4-2,3,4,5,6,11, EN61547	
Others	Net. weight	1.3kg	
	Size	245*70*43mm (L*W*D)	
	Packing	-	
Notes	<ol style="list-style-type: none"> All parameters NOT specially mentioned are measured at 230VAC input, rated load and 25°C of ambient temperature. Tolerance: Includes set up tolerance, line regulation and load regulation. The LED driver is considered as a component that is operated in conjunction with final equipment. EMC performance could be affected by the complete installation. Original equipment manufacturers may need to conduct additional EMC testing and certification on the final equipment. Loading range from 10% to 100%. Specifications are subject to change without prior notice. Contact your supplier to confirm any critical parameters. 		

Input & Output Wiring

- **Input:** 1m AU Flex and Plug.
- **Output:** Rubber Cable 2*1.5mm², Red: (V+) Positive, Black: (V-) Negative.
- **Dimming:** Rubber Cable 2*0.75mm², Blue: DA, White DA (Non-Polarised).



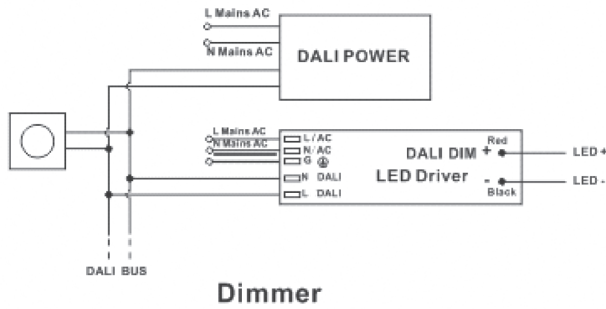
Mechanical Specification



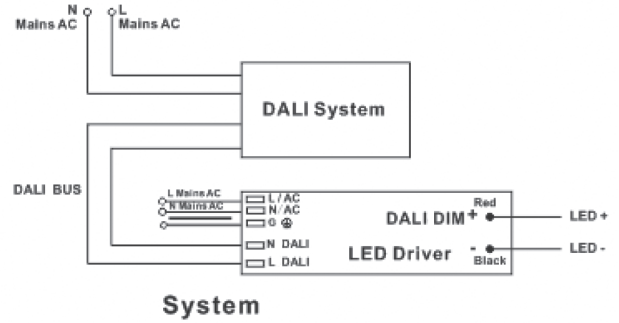
Dimming Operation

Single Driver Connection Diagram

DALI Dimming Wiring Diagram1

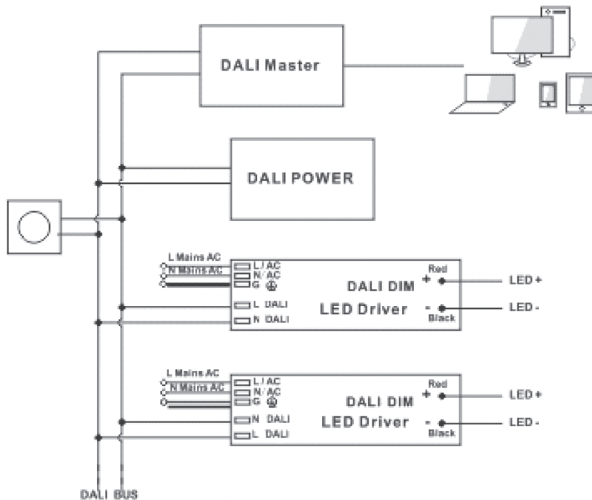


DALI Dimming Wiring Diagram2

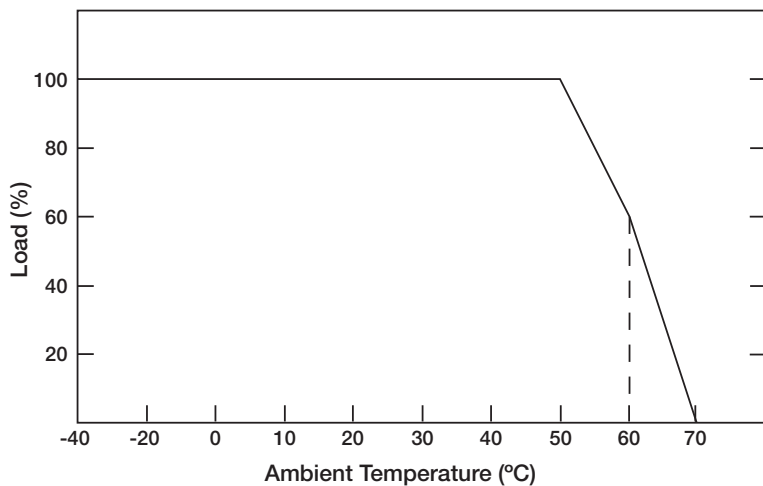


Multiple Drivers Connection Diagram

DALI Dimming Wiring Diagram3



De-Rating Curve



- If being used in higher ambient temperatures, ensure the load on the LED driver is de-rated in accordance with this chart. Failure to do so could lead to a premature failure, which is not covered by the warranty.

Important

- 1) Refer to Power Source Installation Manual.
- 2) Do Not Cover.
- 3) This LED driver should be installed by a qualified electrician.
- 4) Please make sure the LED driver is installed with adequate ventilation around it to allow for heat dissipation.
- 5) Ensure that all wiring is correct before testing in order to avoid damage to the LED driver, or the LEDs.

