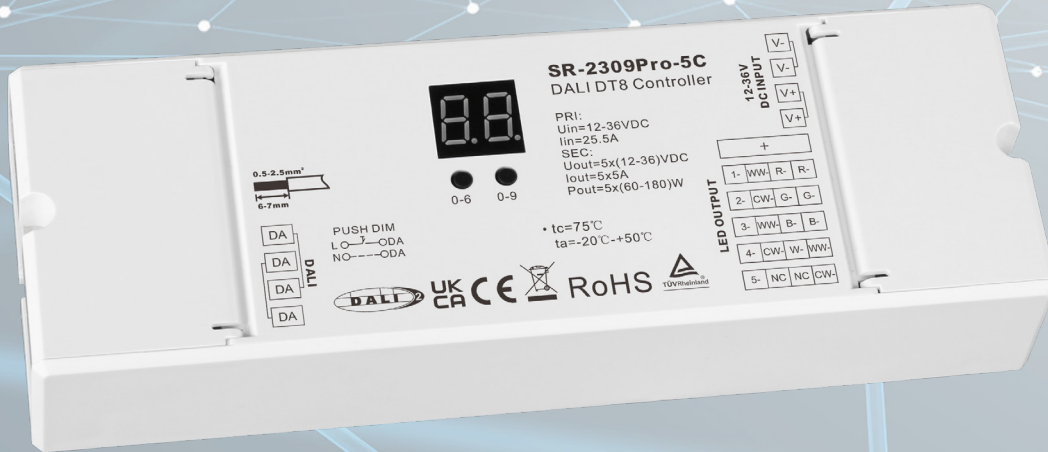




SUNRICHER



**2 YEAR  
WARRANTY**

# Multi colour DALI2 DT8 LED DC converter with PWM output

## Features of the: SR-2309Pro-5C



Constant  
Voltage PWM  
Output



DC Input/Output  
Range: 12-36 VDC



DALI 2  
DT8(XY/  
TC)



Colour control:  
• Single  
• RGBCW(5 Ch)  
• CCT

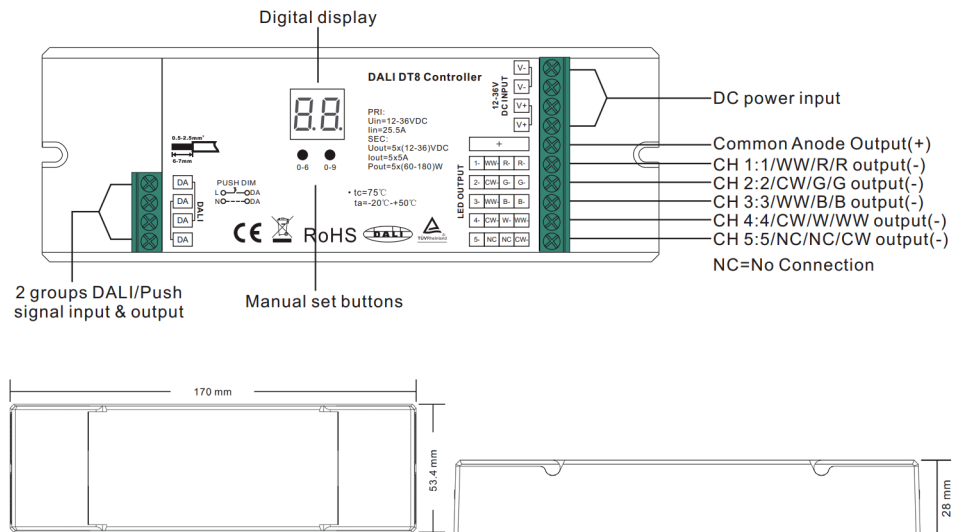
CE IP20 SELV

# Specification

Model		SR-2309Pro-5C
Output	DC voltage	12-36V PWM (equal to input voltage)
	Rated current	5 x 5A
	Rated power	5 x (60-180)W
	PWM refresh rate	3kHz
Input	Voltage range	12-36VDC
Environment	Working TEMP.	-20 - +50°C
	Waterproof Grade	IP20
Others	Net. weight	0.22kg
	Size	170*59*29mm (L*W*D)
Notes	<ol style="list-style-type: none"> <li>1. DALI Master must to be compatible with DT8</li> <li>2. DALI Master must to be compatible with the different available modes.</li> <li>3. DALI address can be assigned either by the Master or from the device itself.</li> <li>4. Do not install with power applied to device.</li> <li>5. Do not expose the device to moisture</li> </ol>	

## Mechanical Specification

- Input Low voltage: 4 pole terminal block: Positive (V+), Negative (V-).
- Output LED's: 6 pole terminal block: 1 common Positive (+), 5 individual Negative (#-).
- DALI: terminals 4 pole terminal block: Common DL1 and common DL2.
- Suggested wire diameter: Input/ Output: 0.5-2.5mm



## Instructions

### 1. Set DALI address using manual set buttons:

- 1.1. Press and hold any of the two buttons until the numeric display starts flashing; then, release the button.
- 1.2. Click either button to choose a digit. Click again to adjust the digit until the desired DALI address appears. Use the first button for the "tens" position and the second button for the "units" position. The address range is from 00 to 63.
- 1.3. Press and hold any of the two buttons until the numeric display stops flashing to confirm your setting.

**Note:** DALI address can be manually assigned from 00-63 or FF. Factory defaults shows "FF", no DALI address is assigned. Setting DALI address as "FF" will reset the dimmer to factory defaults.

### 2. Set DALI device type:

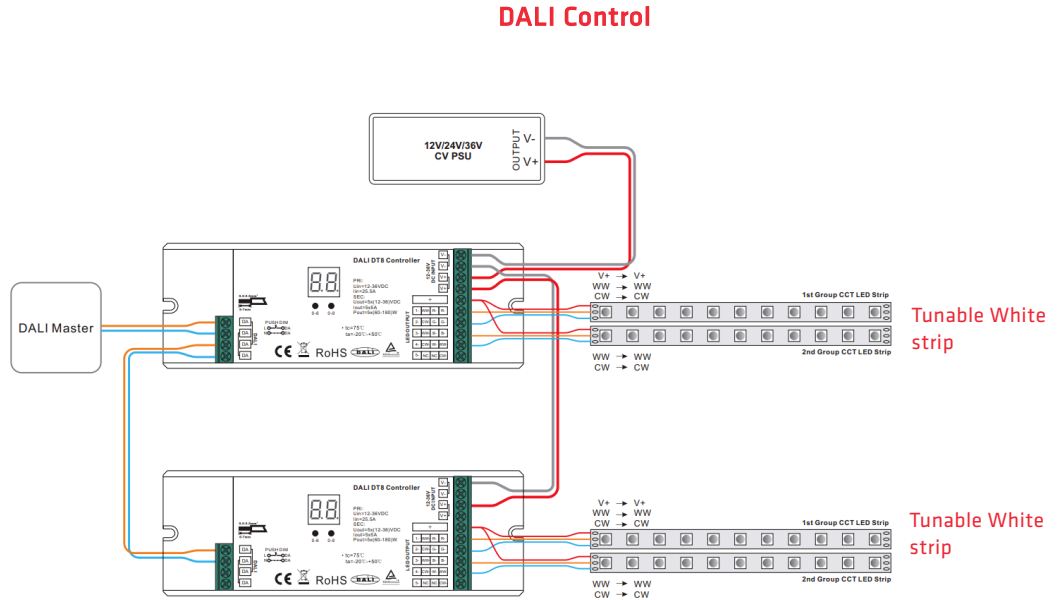
- 2.1. Press and hold both buttons until the numeric display starts flashing; then, release the buttons.
- 2.2. Click the 2nd button(0-9) to cycle through the modes.
- 2.3. After selecting the desired device type press and hold both buttons until the display stops flashing.

**Note:** The available modes are described in the next section.

# Wiring Diagrams & Instructions

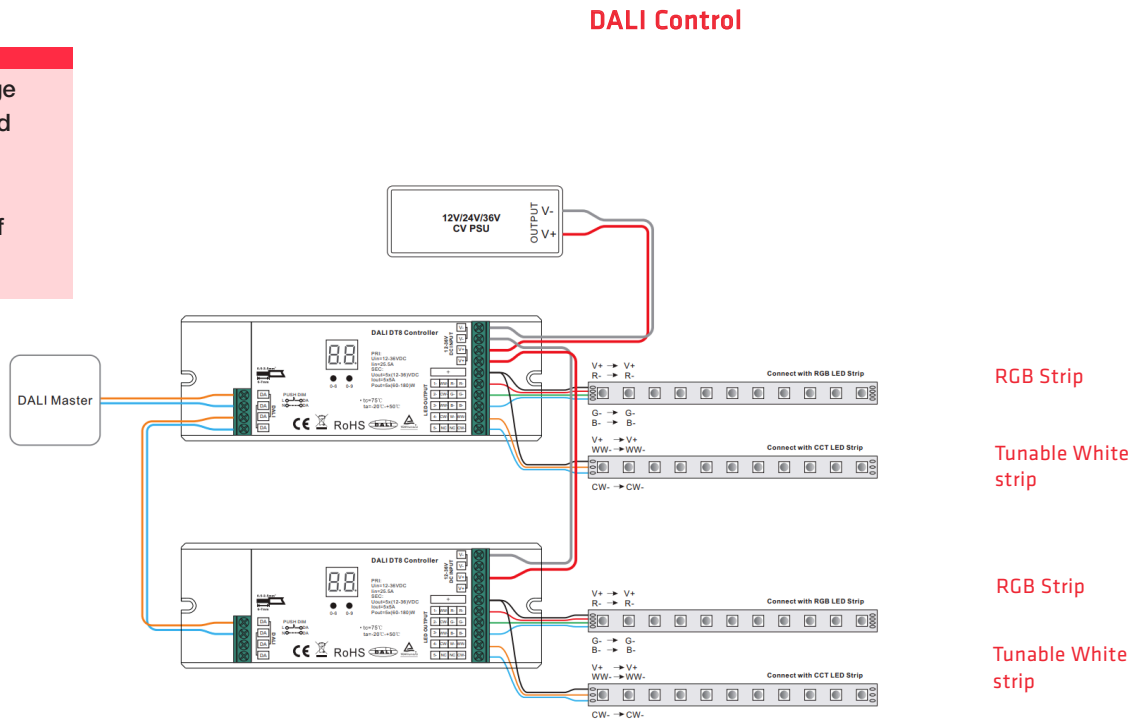
## Tc multi-addresses Tc (DT8)

- This mode is designed to control two separate groups of tunable white LEDs, each with its own DALI address.
- The DALI Master will discover two separate Tc devices, if compatible.



## XY + Tc multi-addresses XY + Tc (DT8)

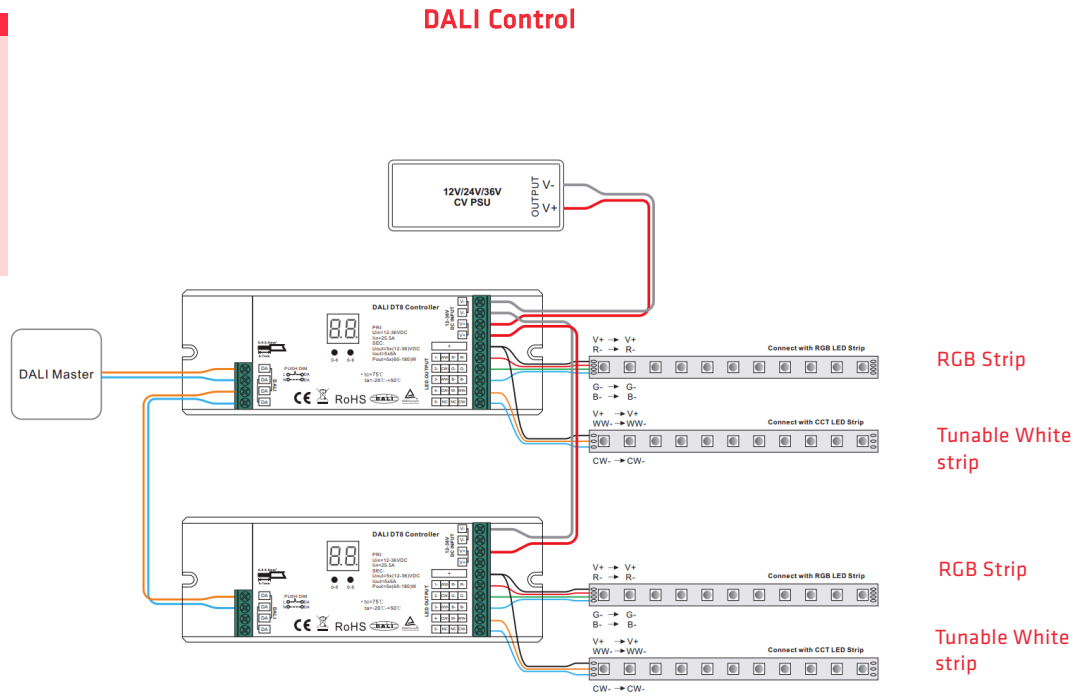
- This mode is designed to manage two separate devices XY( RGB) and TC(Tunable white).
- The DALI Master will discover two separate devices XY and Tc, if compatible.



# Wiring Diagrams & Instructions

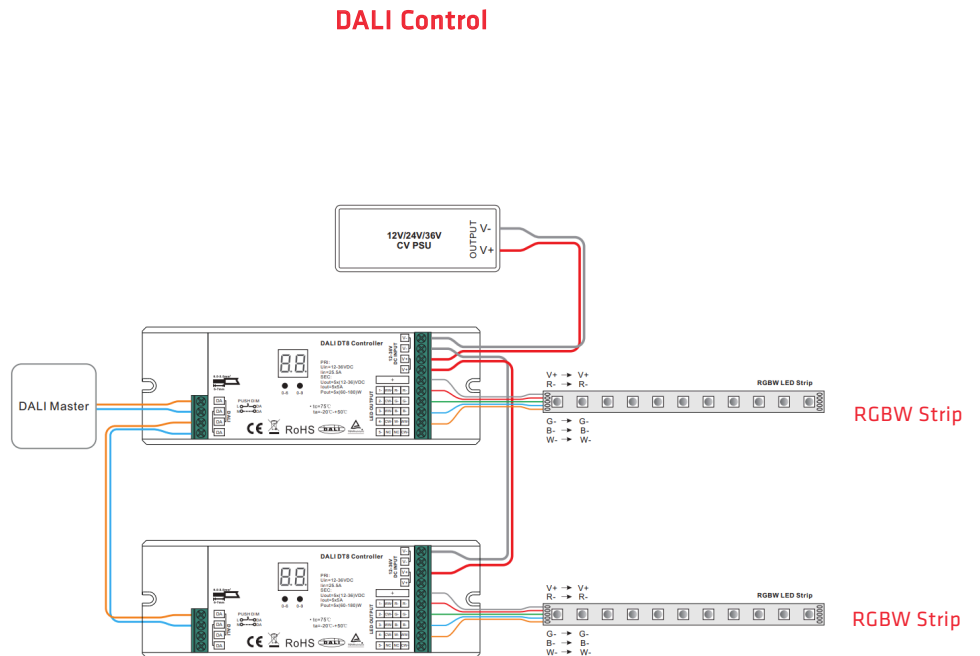
## DT8 multi-addresses RGB + Tc (DT8)

- This mode is designed to manage two separate devices RGB and TC(Tunable white).
- The DALI Master will discover two separate devices RGB and Tc, if compatible.



## DT6 multi-addresses XY (DT8) + single colour (DT6)

- This mode is designed to manage two separate devices XY(RGB) and a White colour (DT6).
- The DALI Master will discover 2 separate devices XY + Single color(DT6), if compatible.

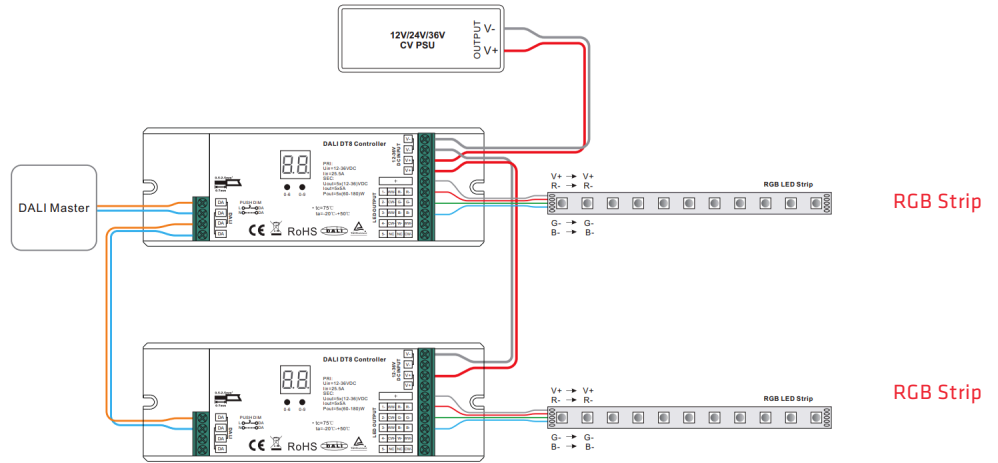


# Wiring Diagrams & Instructions

## XY single-address XY (DT8)

- This mode is designed to manage a single address device XY(RGB).
- The DALI Master will discover one XY device.

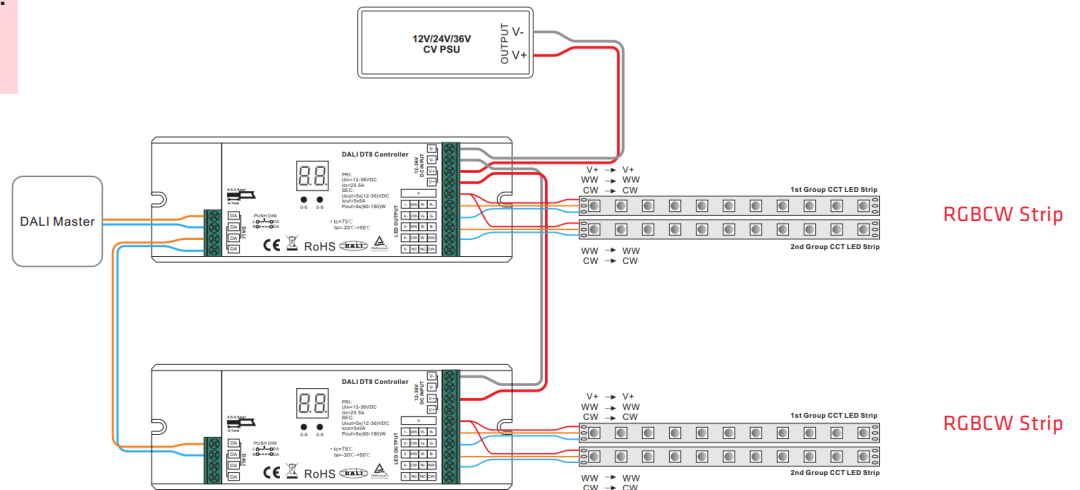
### DALI Control



## Tc single-address Tc (DT8)

- This mode is designed to manage a single address device Tc(Tunable white).
- The DALI Master will discover one Tc device.

### DALI Control



# Wiring Diagrams & Instructions

## 9 single-address RGBWAF (DT8)

- This mode is designed to manage a single address device RGBWAF (RGBW Amber and Free colour).
- The DALI Master will discover one single RGBWAF device , if compatible.

### DALI Control

